

PEB1590DM

GE Profile™ 1.5 Cu. Ft. Countertop Convection/Microwave Oven

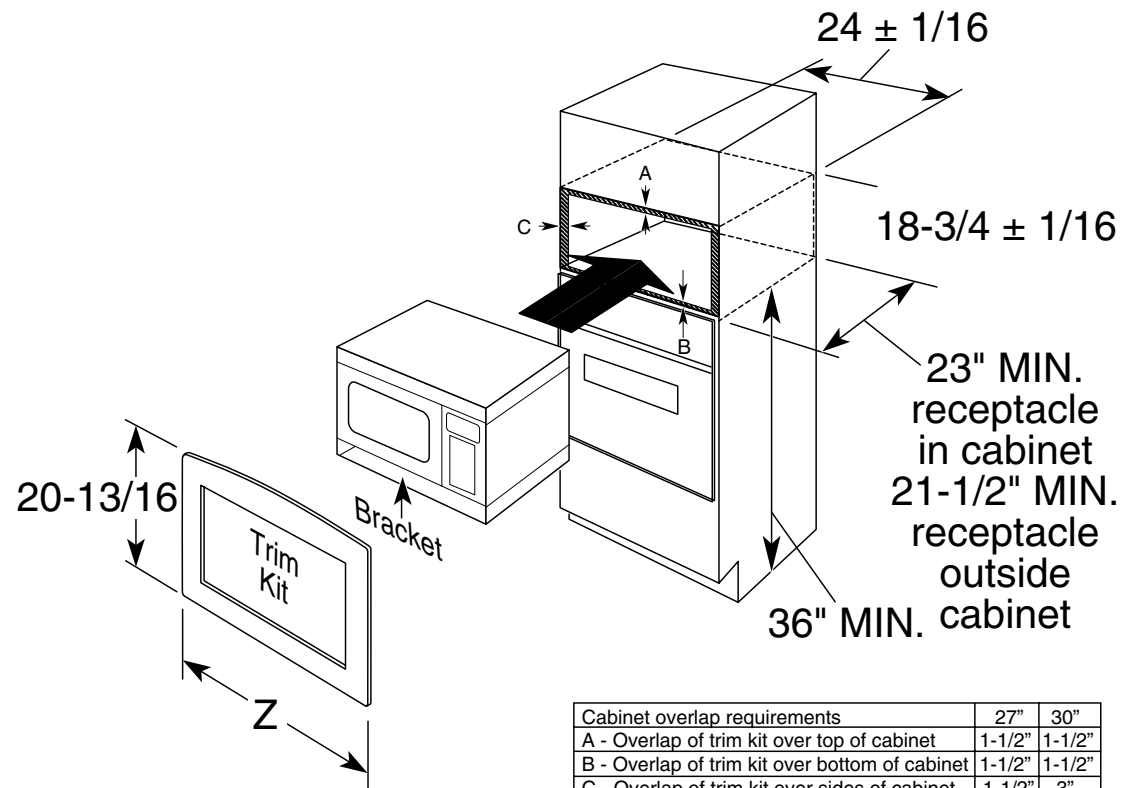
Dimensions and Installation Information (in inches)

Exterior Dimensions (in inches)	
W x H x D	22-5/8 x 14-7/8 x 19-7/8

Accessory Trim Kits	"Z"	Trim Kits	Max Height
30" Deluxe	29-3/4"	JX1530DMWW/BB	21"
27" Deluxe	26-7/8"	JX1527DMWW/BB	21"

Note: 120V, 60-cycle, grounded power receptacle location optional on back within cabinet opening.

Installation Information: This information is not intended to be used for installing unit described. Before installing, consult installation instructions packed with product/kit for current dimensional data.



Cabinet overlap requirements	27"	30"
A - Overlap of trim kit over top of cabinet	1-1/2"	1-1/2"
B - Overlap of trim kit over bottom of cabinet	1-1/2"	1-1/2"
C - Overlap of trim kit over sides of cabinet	1-1/2"	3"

Note:
Allow an additional inch of clearance beyond trim frame on all sides

For answers to your Monogram®, GE Profile™ or GE® appliance questions, visit our website at ge.com or call GE Answer Center® service, 800.626.2000.

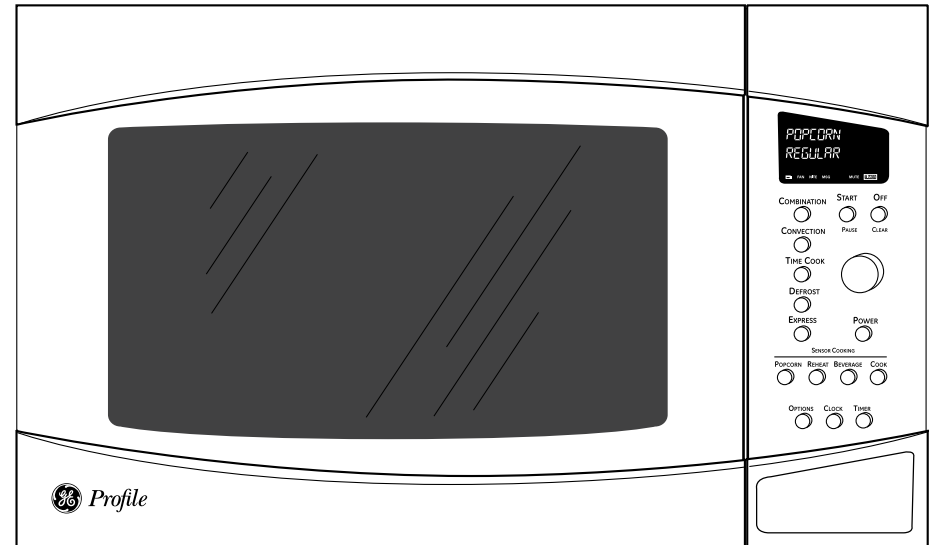


PEB1590DM

GE Profile™ 1.5 Cu. Ft. Countertop Convection/Microwave Oven

Features and Benefits

- 1.5 Cu. Ft. Capacity - 1000 Watts (IEC-705 test procedure)
- Convection Cooking Controls - Produces flavorful and beautifully browned results
- Control Dial - Allows quick, easy adjustment of time and temperature settings
- Sensor Cooking Controls - Automatically adjust the time and power for exceptional cooking results
- Optional Trim Kit - Offers a built-in appearance of a countertop model
- Removable Oven Rack - Makes multi-dish cooking possible
- Turntable - Continually rotates food to ensure even cooking
- Auto and Time Defrost - Automatically defrosts for a specified amount of time
- Two-Line Bilingual Scrolling Display - Provides helpful cooking tips and oven-use instructions in easy-to-read English or Spanish
- Child Lock Out - Enables you to lock the keypad to prevent the oven from being accidentally started
- Model PEB1590DMWW - White on white
- Model PEB1590DMCC - Bisque on bisque
- Model PEB1590DMBB - Black on black



For answers to your Monogram®, GE Profile™ or GE® appliance questions, visit our website at ge.com or call GE Answer Center® service, 800.626.2000.



imagination at work



Listed by
Underwriters
Laboratories