

PGS968SEM

GE Profile™ 30" Slide-In Gas Range

Dimensions and Installation Information (in inches)

You must use the rear filler strip kit shipped with the range or the optional accessory backguard when installing these ranges

Note: Cabinets installed adjacent to slide-in ranges must have an adhesion spec of at least 194° temperature rating.

Optional Kits for Slide-In Gas Ranges: (Available at additional cost)

Lower/Side Trim Kits

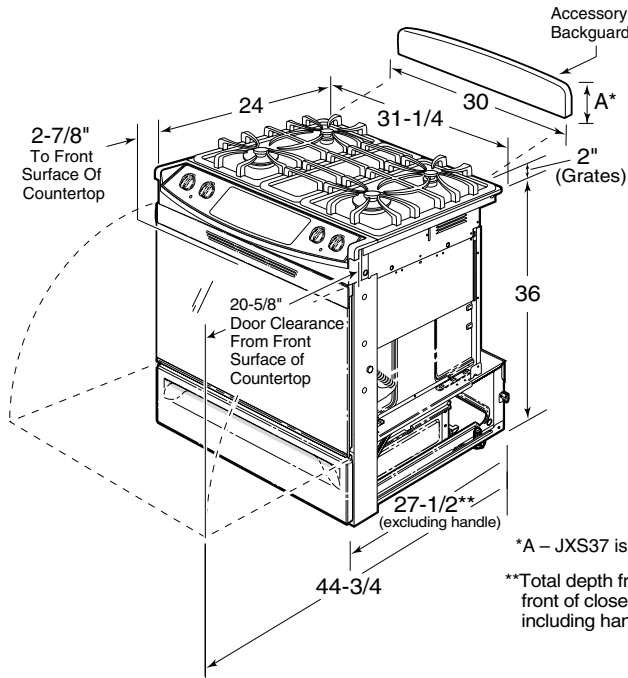
JXS56BB - Lower Trim Kit (Black)

Accessory Backguards

JXS32SS - Brushed-Chrome Accessory Backguard

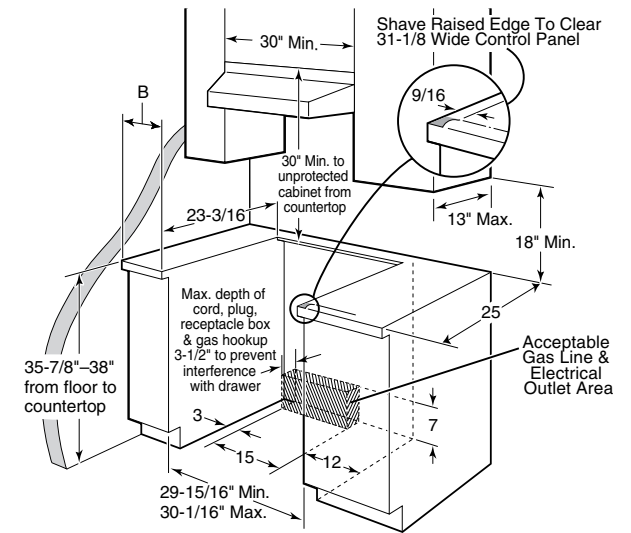
JXS37BB - Black Glass Accessory Backguard

Installation Information: Before installing, consult installation instructions packed with product for current dimensional data.



*A - JXS37 is 5-1/4" and JXS32 is 4"

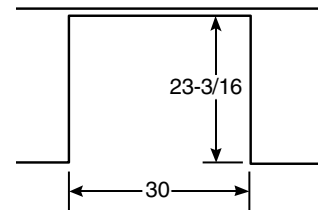
**Total depth from wall to front of closed oven door including handle is 30-1/2."



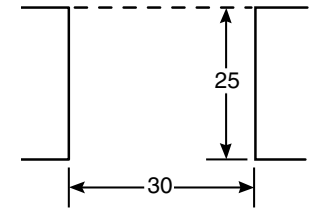
B is 9-1/2" from walls on either side for P2S975, PGS975 and PGS908 and 6" for PGS968

Counter Cutout Dimensions (in inches)

If you are NOT using the Filler strip or Backguard:



If you are using the Filler strip or Backguard:



For answers to your Monogram,® GE Profile™ or GE® appliance questions, visit our website at ge.com or call GE Answer Center® service, 800.626.2000.



All GE ranges are equipped with an Anti-Tip device. The installation of this device is an important, required step in the installation of the range.



PGS968SEM

GE Profile™ 30" Slide-In Gas Range

Features and Benefits

- Gas On Glass Cooktop - Features a flat one-piece ceramic glass surface that is sleek and easy-to-clean
- Two Speed Gas Convection Oven - Circulates the air throughout the oven cavity ensuring better baking and roasting results
- Convection Bake - Provides ideal airflow throughout the oven cavity, ensuring better baking results
- Convection Roast - Provides even cooking and consistent results, roasting meats faster than a traditional oven
- Extra-Large Oven Capacity - Provides a large oven interior ideal for cooking more items at once
- Self Clean Oven - Conveniently cleans the oven cavity without need of scrubbing
- Self-Clean Heavy-Duty Oven Racks - Double coated porcelain-enameled racks no longer require hand cleaning
- Glass Touch Controls - Features a smooth glass design that is easy-to-operate and easy-to-clean
- PowerBoil™ Burner - Delivers 15,000 BTUs of forceful heat for rapid boiling
- Precise Simmer Burner - Offers a low setting of 140°, ensuring more temperature control for simmering
- Model PGS968SEMSS - Stainless steel



imagination at work