

# JGBS04BPM

## GE® 30" Free-Standing Standard Clean Gas Range

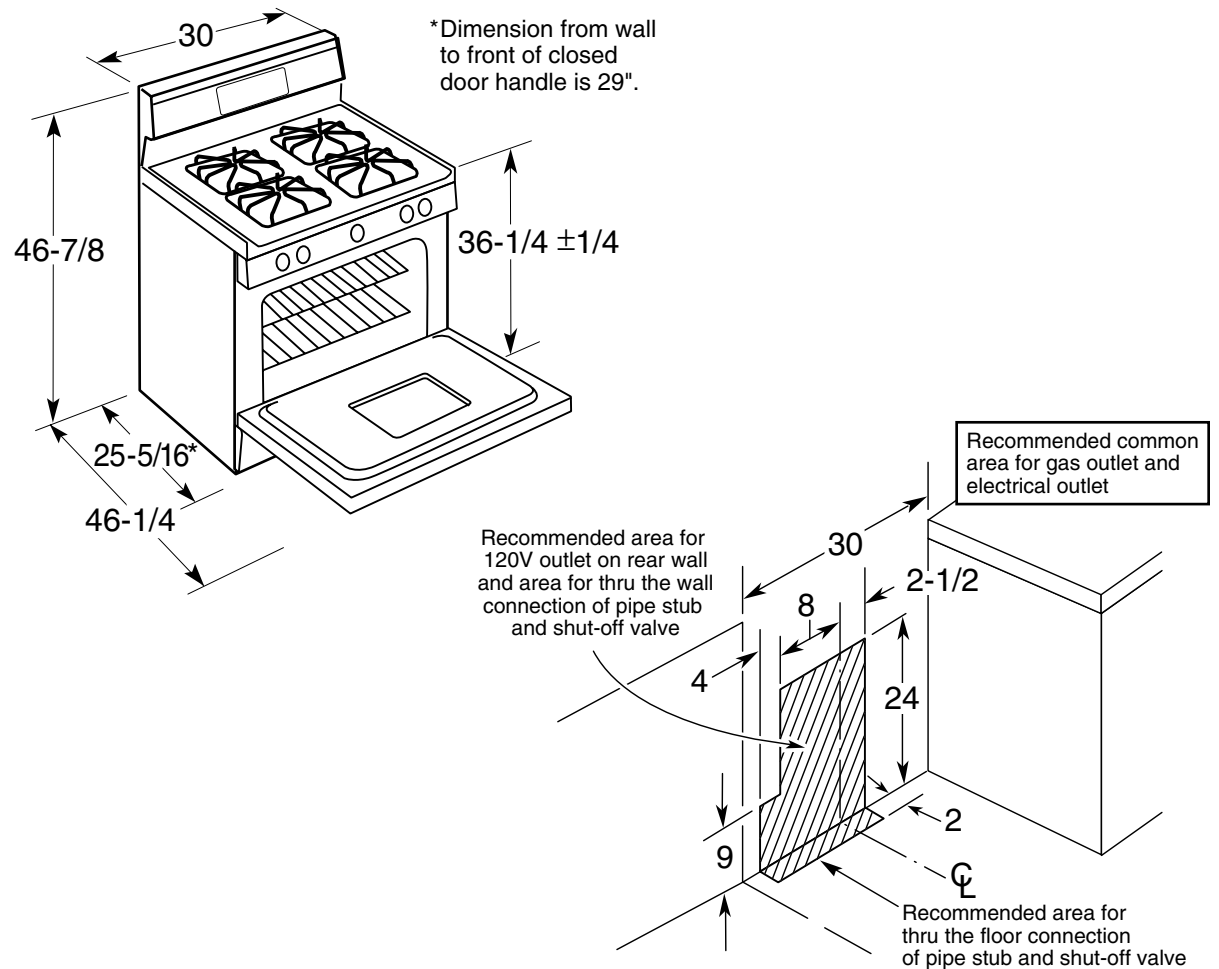
### Dimensions and Installation Information (in inches)

Factory set for Natural gas. A set of LP orifices is included with each range for LP conversion.

**Gas Self-Clean Range Anti-Tip Bracket (Part No. 205C1714P001)**

**Electrical Rating:** 120V, 60Hz, 5A

**Installation Information:** Before installing, consult installation instructions packed with product for current dimensional data.



For answers to your Monogram®, GE Profile™ or GE® appliance questions, visit our website at [ge.com](http://ge.com) or call GE Answer Center® service, 800.626.2000.



imagination at work



All GE ranges are equipped with an Anti-Tip device. The installation of this device is an important, required step in the installation of the range.



Specification Created 5/07

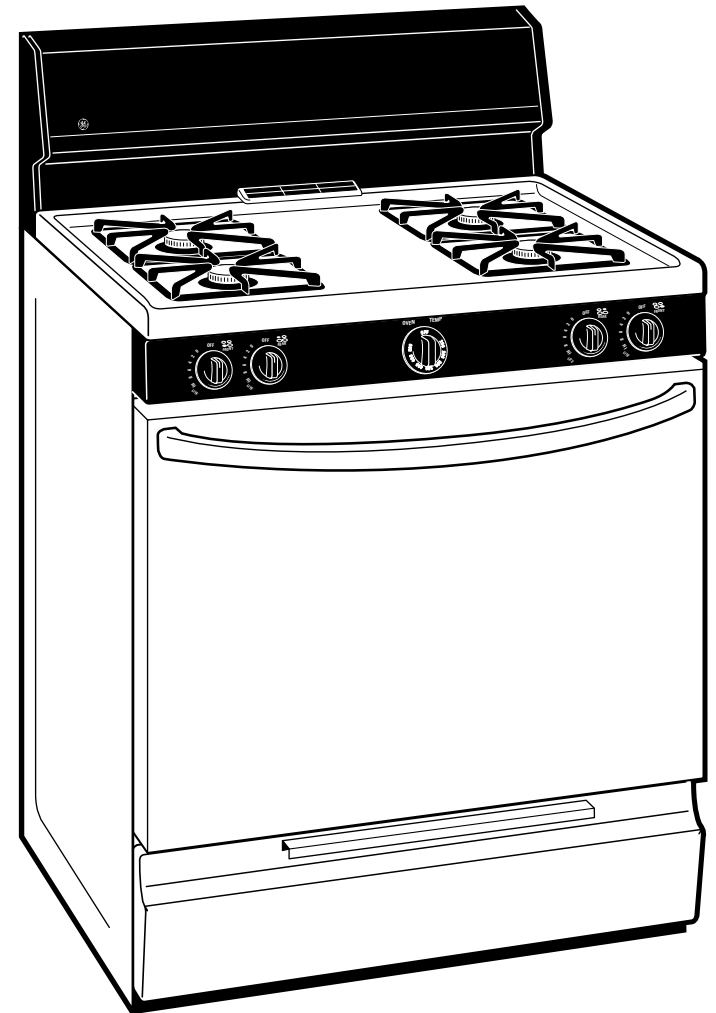
330582

# JGBS04BPM

## GE® 30" Free-Standing Standard Clean Gas Range

### Features and Benefits

- Extra-Large Oven Capacity - Provides a large oven interior ideal for cooking more items at once
- All Purpose Burners - Deliver a wide range of heat output ideal for most cooking requirements
- Electronic Clock And Timer - Features a convenient digital clock and easy-to-use timer with an audible signal to help coordinate cooking times in the kitchen
- Standard Grates - Provide a sturdy and convenient cookware surface for everyday cooking
- Porcelain Oven Door - Offers a scratch-resistant porcelain coating for easy cleaning
- Two Oven Racks - Feature a durable construction to help accommodate any size or type of cookware
- Standing Pilot Ignition
- Easy Clean Subtop - Porcelain enameled subtop collects spills and messes for easy cleaning
- Broiler Drawer - Supplies a concentrated heat for crisping and browning
- Extra-Large Broiler Pan with Grid
- Designer-Style Handle - Exudes a clean style that adds to the modern appearance of the range
- Model JGBS04BPMWH - White



imagination at work