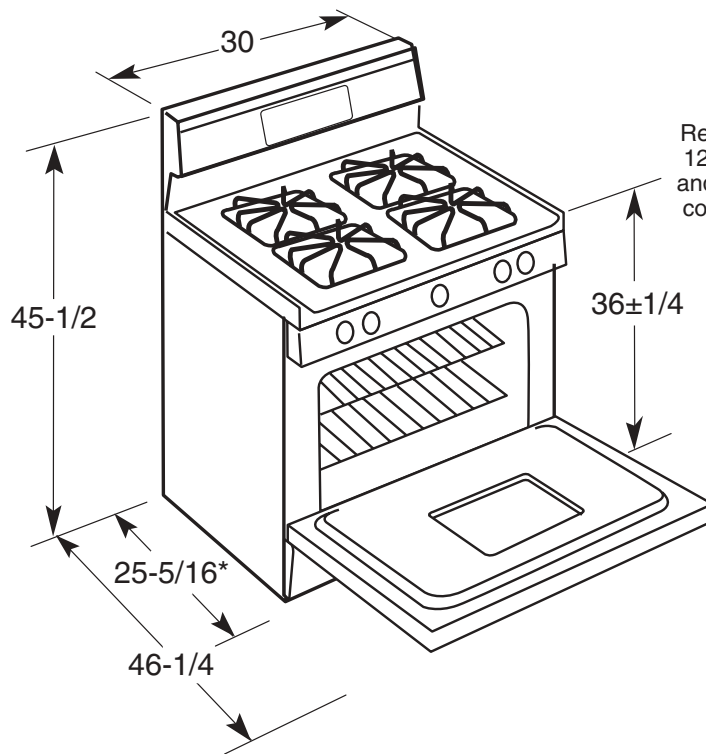




GE Appliances

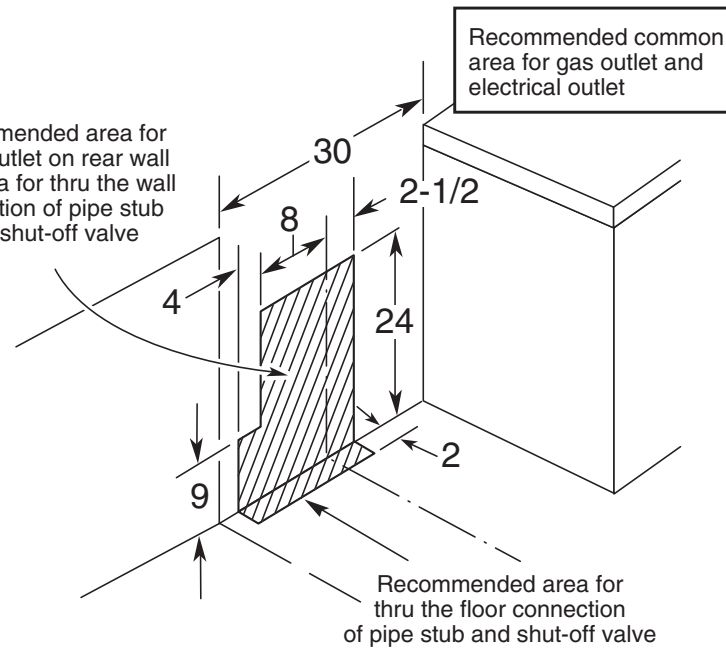
JGBS04BEH – GE® 30" Free-Standing Standard Clean Gas Range

Dimensions (in inches) and Installation Information



*Dimension from wall to front of closed door handle is 27-7/16".
 Depth to front top edge of cooktop – 25-1/4".

Recommended area for 120V outlet on rear wall and area for thru the wall connection of pipe stub and shut-off valve



Factory set for Natural gas. A set of LP orifices is included with each range for LP conversion.

**Gas Self-Clean Range
 Anti-Tip Bracket
 (Part No. 205C1714P001)**

Electrical Rating: 120V, 60Hz, 5A

Installation Information: Before installing, consult installation instructions packed with product for current dimensional data.



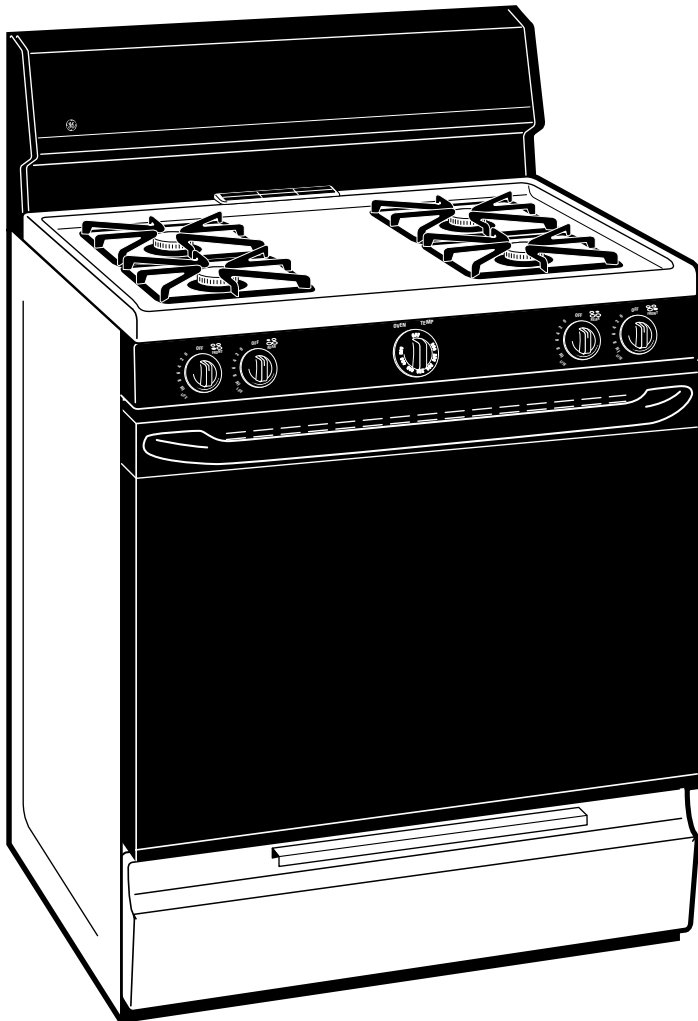
All GE ranges are equipped with an Anti-Tip device. The installation of this device is an important, required step in the installation of the range.





GE Appliances

JGBS04BEH – GE® 30" Free-Standing Standard Clean Gas Range



Features and Benefits

- Extra-Large Oven Capacity – Provides a large oven interior ideal for cooking more items at once.
- All Purpose Burners – Deliver a wide range of heat output ideal for most cooking requirements.
- Standard Grates – Provide a sturdy and convenient cookware surface for everyday cooking.
- Porcelain Oven Door – Offers a scratch-resistant porcelain coating for easy cleaning.
- Two Oven Racks – Feature a durable construction to help accommodate any size or type of cookware.
- Six Rack Positions – Provide flexibility and allows consumers to make the most of available oven capacity.
- Model JGBS04BEHWH – White (black door and control panel/white patterned cooktop)
- Model JGBS04BEHCT – Bisque (black door and control panel/bisque patterned cooktop)