

JGBS22WEK

GE® 30" Free-Standing Standard Clean Gas Range

Dimensions and Installation Information (in inches)

Optional Gas Range Accessory Drip Pans for Sealed and Standard Burner Models

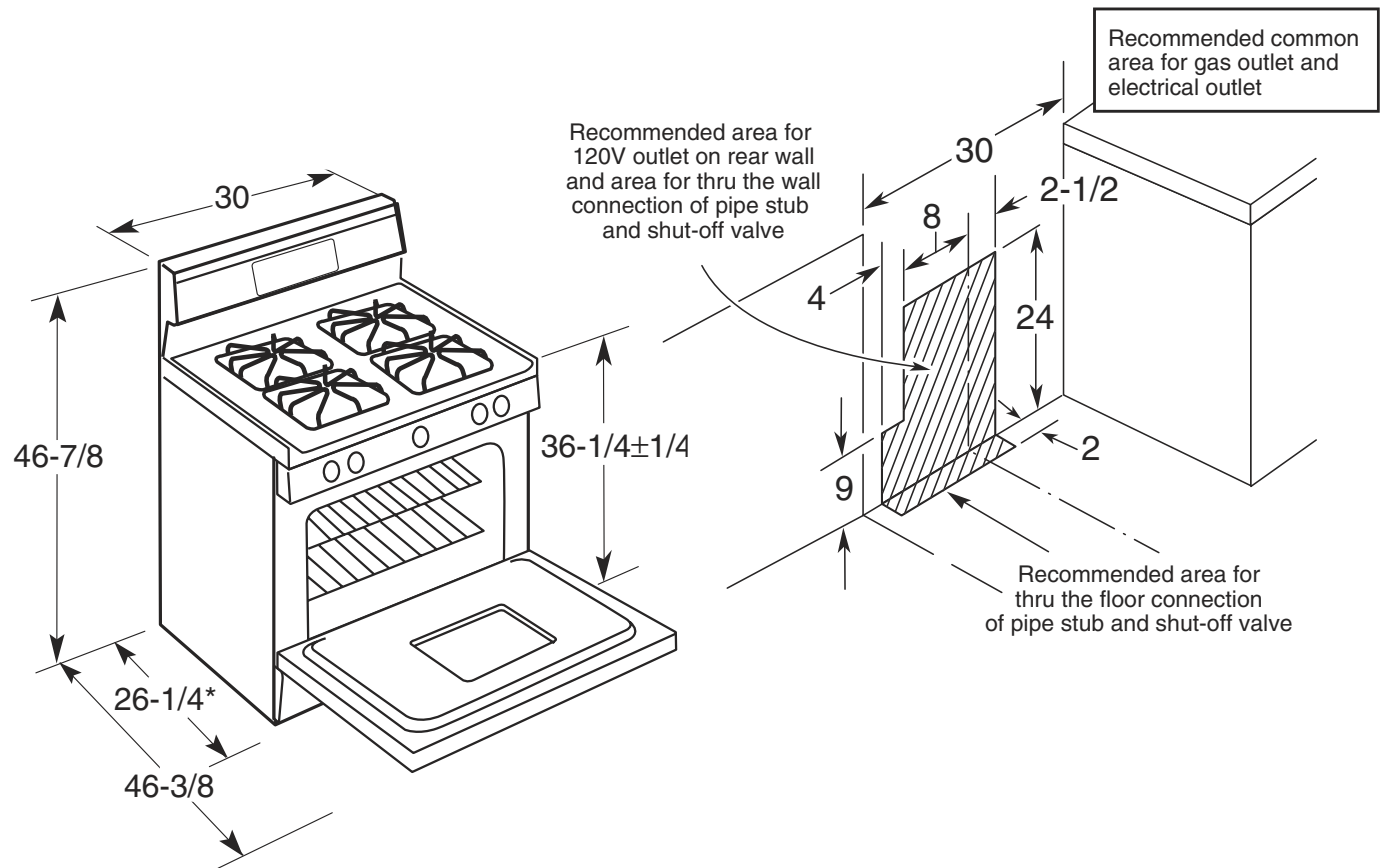
(Available at additional cost)
To order these accessory drip pans, call toll-free 800-626-2002

Gas Self-Clean Range Anti-Tip Bracket (Part No. 205C1714P001)

***Note:** Dimension from the wall to the front of the closed door handle is 29". Depth to front edge of cooktop 25-1/4".

Electrical Rating: 120V, 60Hz, 5A

Installation Information: Before installing, consult installation instructions packed with product for current dimensional data.



For answers to your Monogram®, GE Profile™ or GE® appliance questions, visit our website at ge.com or call GE Answer Center® service, 800.626.2000.



All GE ranges are equipped with an Anti-Tip device. The installation of this device is an important, required step in the installation of the range.



JGBS22WEK

GE® 30" Free-Standing Standard Clean Gas Range

Features and Benefits

- Extra-Large Oven Capacity – Provides a large oven interior ideal for cooking more items at once
- All Purpose Burners – Deliver a wide range of heat output ideal for most cooking requirements
- Sealed Cooktop Burners – Eliminate the space between the burners and the cooktop to help contain spills and boil over liquids, ensuring easy cleanup
- Electronic Clock and Timer – Features a convenient digital clock and easy-to-use timer with an audible signal to help coordinate cooking times in the kitchen
- Standard Grates – Provide a sturdy and convenient cookware surface for everyday cooking
- Frameless Glass Oven Door – Offers an easy-to-clean and stylish design that blends seamlessly into existing cabinetry
- Big ClearView™ Window – An extra large clear window makes monitoring the progress of food easy
- Model JGBS22WEKWW - White on white (white door and cooktop)

