

JGBS18DEN

GE® 30" Free-Standing Gas Range

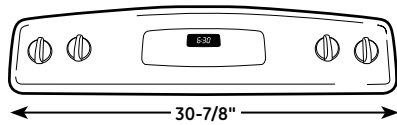
Dimensions and Installation Information (in inches)

Factory set for Natural gas. A set of LP orifices is included with each range for LP conversion.

Gas Self-Clean Range Anti-Tip Bracket
(Part No. 205C1714P001)

Electrical Rating: 120V, 60Hz, 5A

Installation Information: Before installing, consult installation instructions packed with product for current dimensional data.

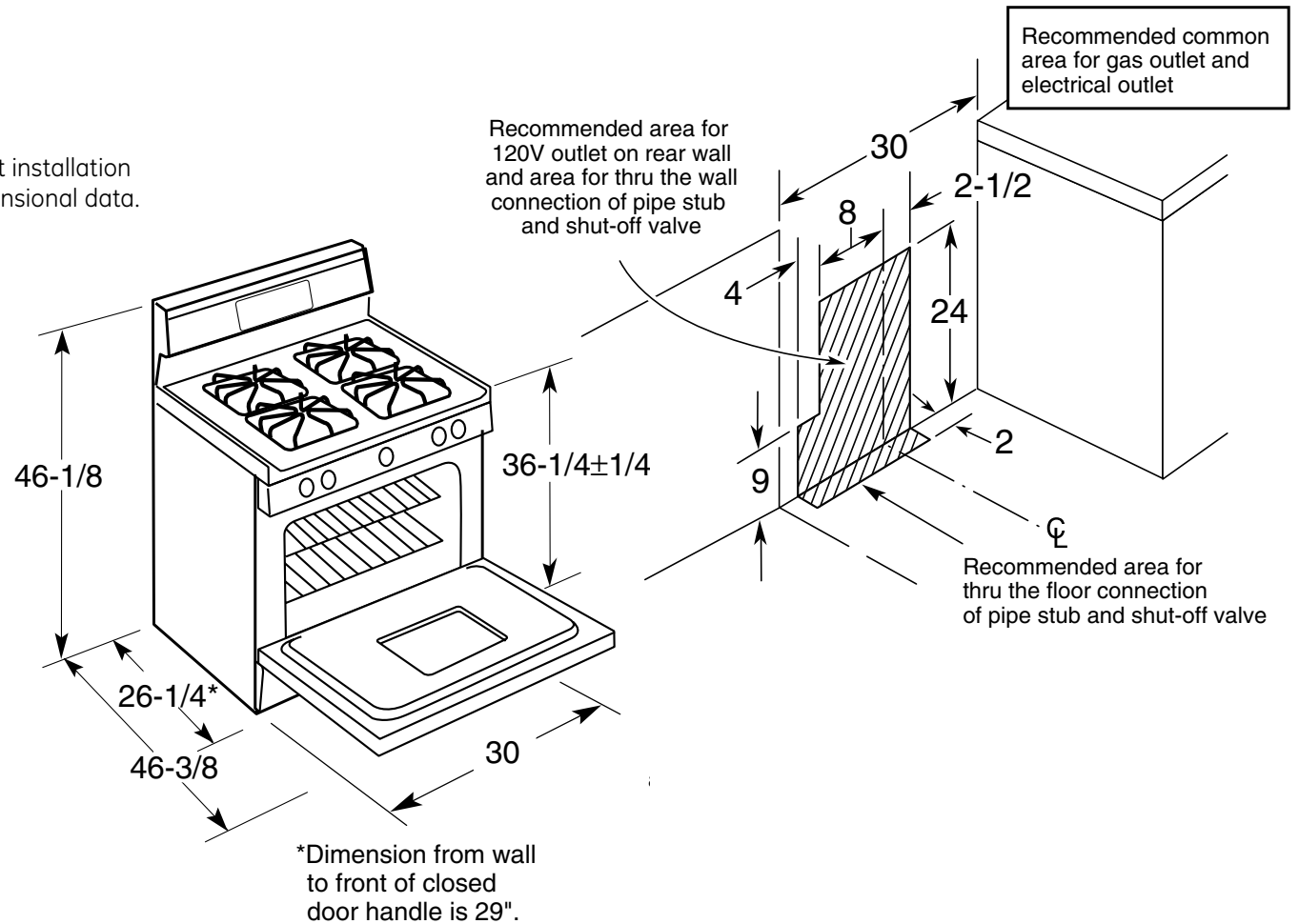


All 30" GE gas and electric range backguards are 30-7/8" wide.*

Note: 30" ranges conform to U.L. requirements for 0" spacing from adjacent walls below countertops. To reduce possible scorching of walls, engineering recommends a minimum of 1-1/2" spacing to allow for possible extended, high heat, no-load heating element operation.

*Except these models: JGBS07, JGBS04, JGBP90, all GE Profile free-standing electric and gas ranges
Fits most countertop backsplash applications.
Consult Use & Care Manual for detailed installation instructions.

For answers to your Monogram®, GE Profile™ or GE® appliance questions, visit our website at ge.com or call GE Answer Center® service, 800.626.2000.



All GE ranges are equipped with an Anti-Tip device. The installation of this device is an important, required step in the installation of the range.



JGBS18DEN

GE® 30" Free-Standing Gas Range

Features and Benefits

- Extra-Large Oven Capacity - Provides a large oven interior ideal for cooking more items at once
- Standard Clean Oven - Offers a traditional oven design that requires hand cleaning
- All Purpose Burners - Deliver a wide range of heat output ideal for most cooking requirements
- Sealed Cooktop Burners - Eliminate the space between the burners and the cooktop to help contain spills and boil over liquids, ensuring easy cleanup
- Electronic Clock And Timer - Features a convenient digital clock and easy-to-use timer with an audible signal to help coordinate cooking times in the kitchen
- Frameless Glass Oven Door - Offers an easy-to-clean and stylish design that blends seamlessly into existing cabinetry
- Standard Grates - Provide a sturdy and convenient cookware surface for everyday cooking
- ClearView™ Window - Features a convenient viewing area to check the progress of food
- Two Oven Racks - Feature a durable construction to help accommodate any size or type of cookware
- Six Rack Positions - Provides flexibility and allows consumers to make the most of available oven capacity
- Model JGBS18DENBB - Black on black
- Model JGBS18DENCC - Bisque on bisque
- Model JGBS18DENWW - White on white

