

JGBS23SEL

GE® 30" Free-Standing Gas Range

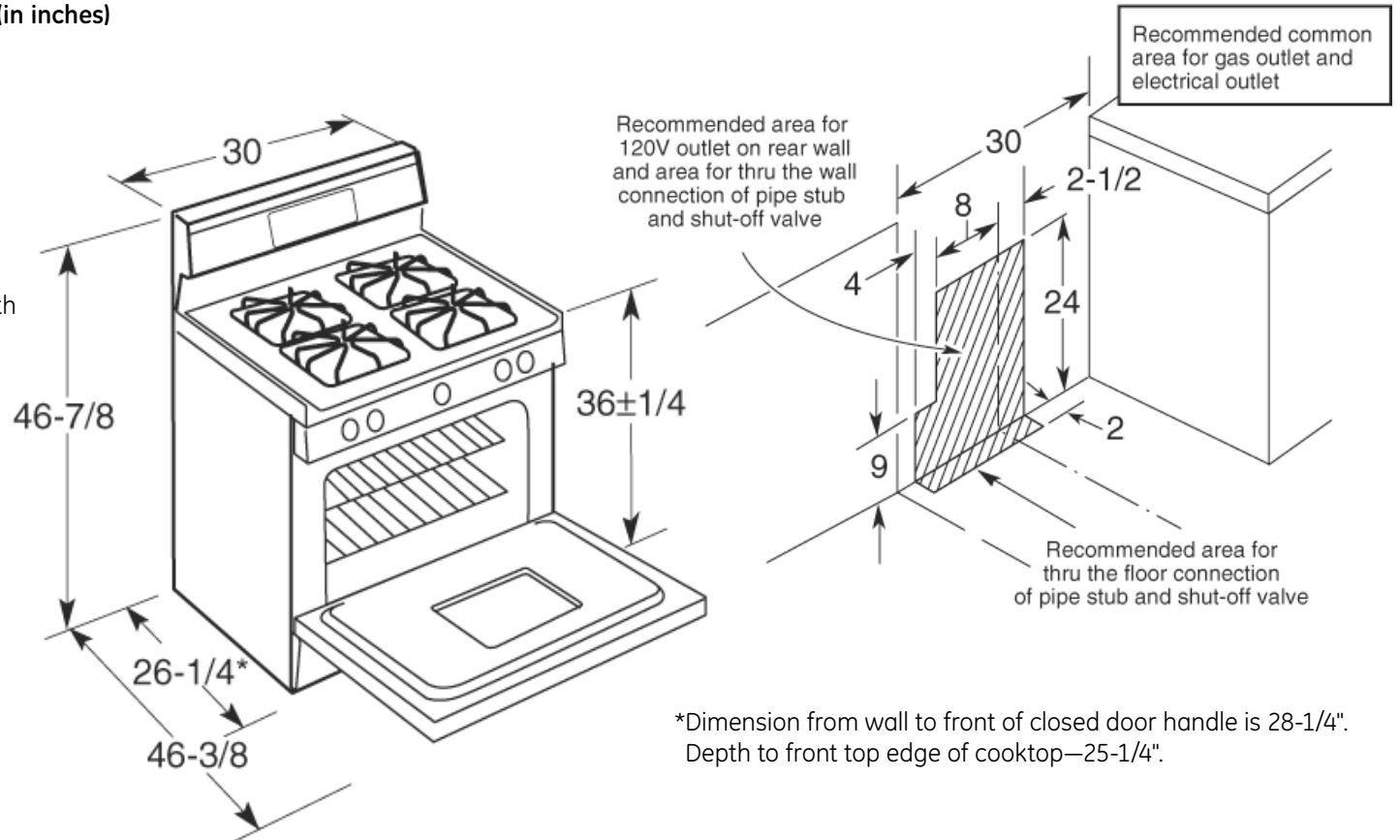
Dimensions and Installation Information (in inches)

Factory set for Natural gas. A set of LP orifices is included with each range for LP conversion.

Gas Self-Clean Range Anti-Tip Bracket (Part No. 205C1714P001)

Electrical Rating: 120V, 60Hz, 5A

Installation Information: Before installing, consult installation instructions packed with product for current dimensional data.



*Dimension from wall to front of closed door handle is 28-1/4".
Depth to front top edge of cooktop—25-1/4".

For answers to your Monogram,® GE Profile™ or GE® appliance questions, visit our website at ge.com or call GE Answer Center® service, 800.626.2000.



imagination at work



All GE ranges are equipped with an Anti-Tip device. The installation of this device is an important, required step in the installation of the range.



Specification Created 6/06

330414

JGBS23SEL

GE® 30" Free-Standing Gas Range

Features and Benefits

- Extra-Large Oven Capacity - Provides a large oven interior ideal for cooking more items at once
- 12,000 BTU Power Burner - Delivers a wide range of heat output ideal for most cooking requirements
- Precise Simmer Burner - Offers a low setting of 600 BTUs, ensuring more temperature control for simmering
- Sealed Cooktop Burners - Eliminate the space between the burners and the cooktop to help contain spills and boil over liquids, ensuring easy cleanup
- Electronic Clock And Timer - Features a convenient digital clock and easy-to-use timer with an audible signal to help coordinate cooking times in the kitchen
- Deluxe Grates - Provide a sturdy and durable cookware surface for everyday cooking
- Big Hearth Window - Features an enhanced shape to add an elegant appearance and make viewing trouble-free
- Model JGBS23SELSS - Stainless steel (stainless steel door and black cooktop)

