

# JGBP33DEM

## GE® 30" Free-Standing Self-Clean Gas Range

### Dimensions and Installation Information (in inches)

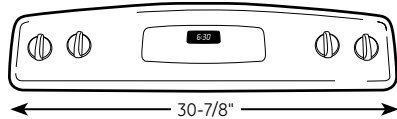
#### Optional Gas Range Accessory Drip Pans for Sealed and Standard Burner Models

(Available at additional cost) To order these accessory drip pans, call toll-free 800-626-2002

#### Gas Self-Clean Range Anti-Tip Bracket (Part No. 205C1714P001)

**Electrical Rating:** 120V, 60Hz, 5A

**Installation Information:** Before installing, consult installation instructions packed with product for current dimensional data.

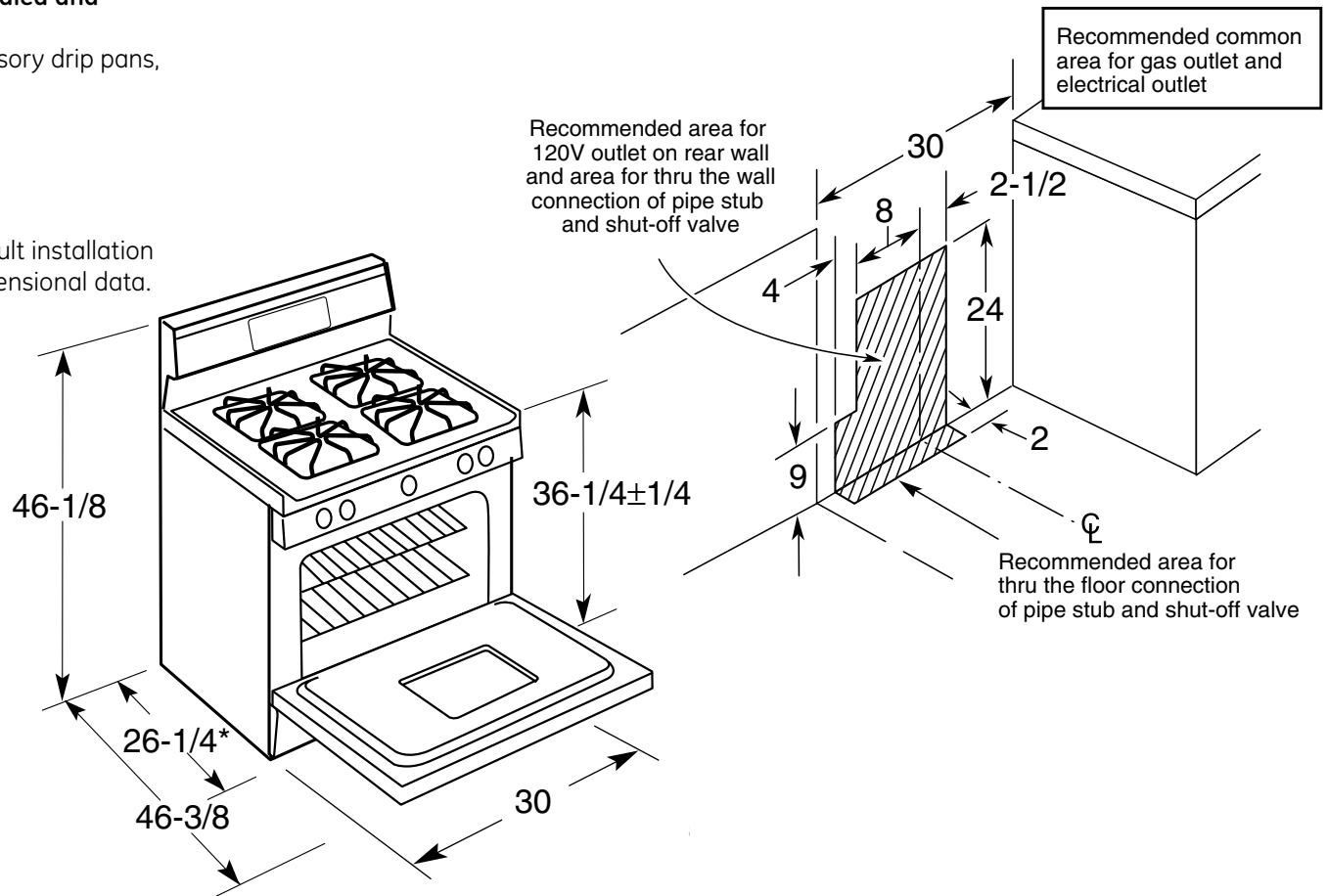


All 30" GE gas and electric range backguards are 30-7/8" wide.\*

**Note:** 30" ranges conform to U.L. requirements for 0" spacing from adjacent walls below countertops. To reduce possible scorching of walls, engineering recommends a minimum of 1-1/2" spacing to allow for possible extended, high heat, no-load heating element operation.

\*Except these models: JGBS07, JGBS04, JGBP90, all GE Profile free-standing electric and gas ranges  
Fits most countertop backsplash applications. Consult Use & Care Manual for detailed installation instructions.

For answers to your Monogram®, GE Profile™ or GE® appliance questions, visit our website at [ge.com](http://ge.com) or call GE Answer Center® service, 800.626.2000.



\*Dimension from wall to front of closed door handle is 29".



All GE ranges are equipped with an Anti-Tip device. The installation of this device is an important, required step in the installation of the range.

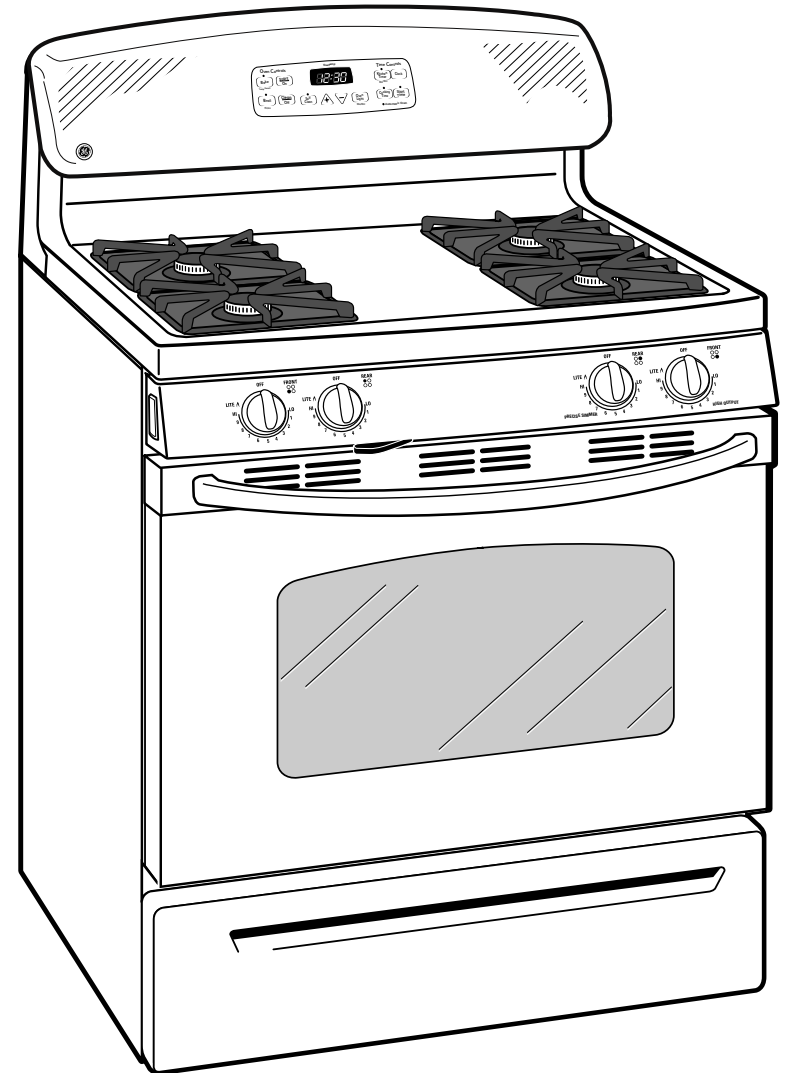


# JGBP33DEM

## GE® 30" Free-Standing Self-Clean Gas Range

### Features and Benefits

- Self-Clean Oven - Conveniently cleans the oven cavity without need of scrubbing
- Extra-Large Oven Capacity - Provides a large oven interior ideal for cooking more items at once
- TrueTemp™ System - Delivers even heat distribution and your maximum oven control
- QuickSet IV Oven Controls - Feature an easy to use design which allows you to set precise cooking temperatures
- High Output Burner - Provides a powerful burner output for efficient heat-up and boiling
- Precise Simmer Burner - Offers a low setting of 600 BTUs, ensuring more temperature control for simmering
- All Purpose Burners - Deliver a wide range of heat output ideal for most cooking requirements
- Sealed Cooktop Burners - Eliminate the space between the burners and the cooktop to help contain spills and boil over liquids, ensuring easy cleanup
- Frameless Glass Oven Door - Offers an easy-to-clean and stylish design that blends seamlessly into existing cabinetry
- Big Hearth Window - Features an enhanced shape to add an elegant appearance and make viewing trouble-free
- Model JGBP33DEMWW – White on white
- Model JGBP33DEMCC – Bisque on bisque
- Model JGBP33DEMBB – Black on black



imagination at work