

# JGBP36DEM

## GE® 30" Free-Standing Self-Clean Gas Range

### Dimensions and Installation Information (in inches)

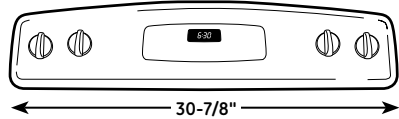
**Note:** Dimension from the wall to the front of the closed door handle is 29". Depth to front edge of cooktop 25-1/4".

### Optional Gas Range Accessory Drip Pans for Sealed and Standard Burner Models: (Available at additional cost)

To order these accessory drip pans, call toll-free 800-626-2002.

**Electrical Rating:** 120V, 60Hz, 5A

**Installation Information:** Before installing, consult installation instructions packed with product for current dimensional data.

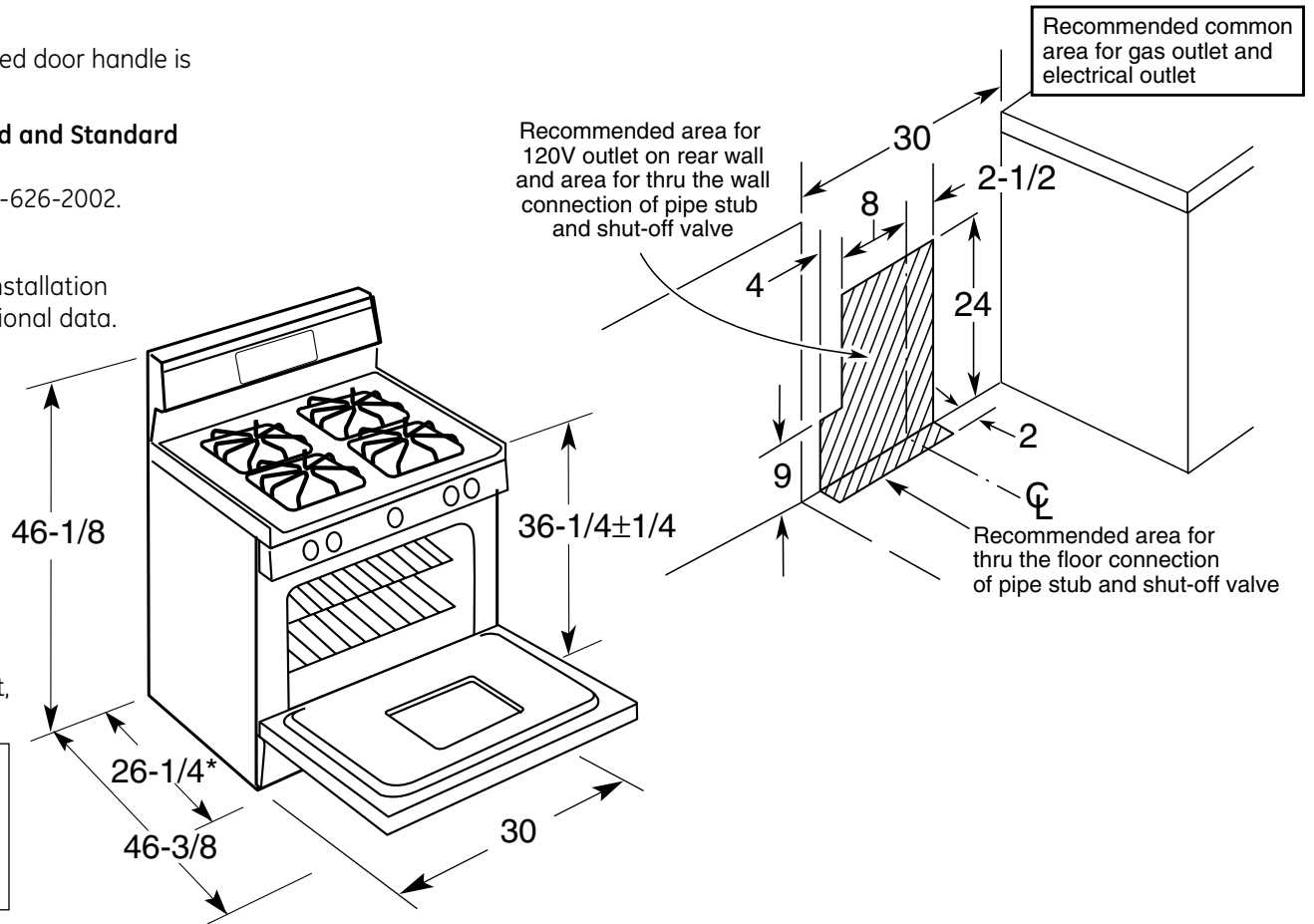


All 30" GE gas and electric range backguards are 30-7/8" wide.\*

**Note:** 30" ranges conform to U.L. requirements for 0" spacing from adjacent walls below countertops. To reduce possible scorching of walls, engineering recommends a minimum of 1-1/2" spacing to allow for possible extended, high heat, no-load heating element operation.

\*Except these models: JGBS07, JGBS04, JGBP90, all GE Profile free-standing electric and gas ranges  
Fits most countertop backsplash applications.  
Consult Use & Care Manual for detailed installation instructions.

For answers to your Monogram®, GE Profile™ or GE® appliance questions, visit our website at [ge.com](http://ge.com) or call GE Answer Center® service, 800.626.2000.



imagination at work



All GE ranges are equipped with an Anti-Tip device. The installation of this device is an important, required step in the installation of the range.



Specification Revised 10/08

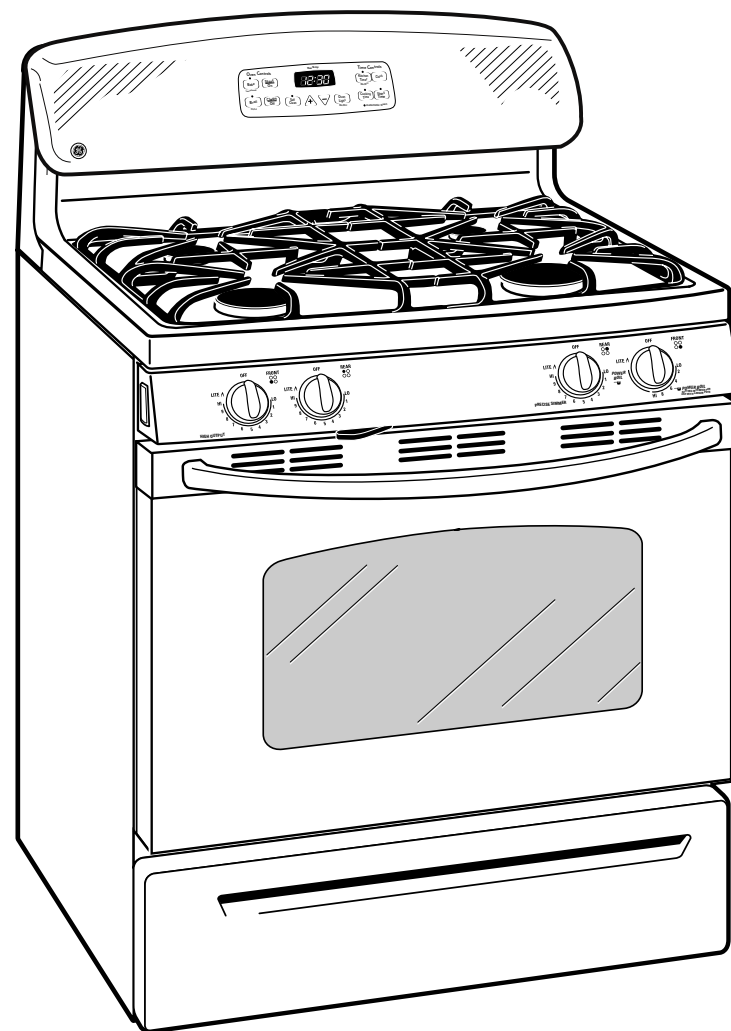
330599

# JGBP36DEM

## GE® 30" Free-Standing Self-Clean Gas Range

### Features and Benefits

- Self-Clean Oven - Conveniently cleans the oven cavity without need of scrubbing
- Extra-Large Oven Capacity - Provides a large oven interior ideal for cooking more items at once
- Deep Recessed Cooktop - Designed with a recessed surface to help contain spills and make cleaning easy
- Designer-Style Handle - Exudes a clean style that adds to the modern appearance of the range
- QuickSet IV Oven Controls - Feature an easy to use design which allows you to set precise cooking temperatures
- 15K Power Boil Burner - Provides 15,000 BTUs of forceful heat for rapid boiling
- Precise Simmer Burner - Offers a low setting of 600 BTUs, ensuring more temperature control for simmering
- All Purpose Burners - Deliver a wide range of heat output ideal for most cooking requirements
- Three Oven Racks - Feature durable construction to help accommodate any size or type of cookware
- Continuous Grates - Provide a flat, sturdy surface allowing easy movement of pans between burners
- Model JGBP36DEMWW - White on white (white door and white cooktop)
- Model JGBP36DEMCC - Bisque on bisque (bisque door and bisque cooktop)
- Model JGBP36DEMBB - Black on black (black door and black cooktop)



imagination at work