

# Installation Instructions

## 30" Electric Slide-In Range

JSS28, JSP39

? Questions? Call 800.GE.CARES (800.432.2737) or Visit our Website at: [ge.com](http://ge.com)

### BEFORE YOU BEGIN

Read these instructions completely and carefully.

- **IMPORTANT** — Save these instructions for local inspector's use.
- **IMPORTANT** — Observe all governing codes and ordinances.
- **Note to Installer** – Be sure to leave these instructions with the Consumer.
- **Note to Consumer** – Keep these instructions for future reference.
- **Skill level** – Installation of this appliance requires basic mechanical skills.
- **Completion time** – 1 to 3 hours
- Proper installation is the responsibility of the installer.
- Product failure due to improper installation is not covered under the Warranty.

**▲ WARNING** — This appliance must be properly grounded.

### ANTI-TIP DEVICE

**▲ WARNING** — To reduce the risk of tipping, the appliance must be secured by properly installed Anti-Tip bracket packed with this appliance.

If the Anti-Tip device supplied with the range does not fit this application, use the universal Anti-Tip device WB2X7909.



### ▲ WARNING —

- All ranges can tip
- Injury to persons could result
- Install Anti-Tip bracket packed with range
- See Installation Instructions



If you pull the range out and away from the wall for any reason, make sure the Anti-Tip bracket is engaged when the range is pushed back against the wall.

### FOR YOUR SAFETY:

**▲ CAUTION:** — For Personal Safety remove house fuse or open circuit breaker before beginning installation. Failure to do so could result in serious injury or even death.

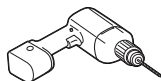
### FOR YOUR SAFETY:

All rough-in and spacing dimensions must be met for safe use of your range. Electricity to the range can be disconnected at the outlet without moving the range if the outlet is in the preferred location (remove lower drawer).

To reduce the risk of burns or fire when reaching over hot surface elements, cabinet storage space above the cooktop should be avoided. If cabinet storage space is to be provided above the cooktop, the risk can be reduced by installing a range hood that sticks out at least 5" beyond the front of the cabinets. Cabinets installed above a cooktop must be no deeper than 13".

Be sure your appliance is properly installed and grounded by a qualified technician.

### TOOLS YOU WILL NEED



Drill with 1/8" Bit



Straight Edge



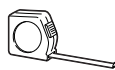
Safety Glasses



Hand or Saber Saw



Pencil



Tape Measure

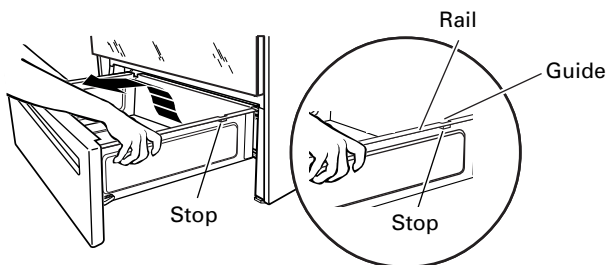
# Installation Instructions

## PREPARE TO INSTALL THE RANGE

- Move range indoors in front of cabinet opening.
- Protect the kitchen floor! Flatten and place a piece of the shipping carton in front of the installation location to protect the flooring.
- Remove packing materials. Remove labels on door, plastic on trim and panel, and all tape around the range.

### STORAGE DRAWER REMOVAL

- A Pull the drawer out until it stops.
- B Lift the front of the drawer until the stops clear the guides.

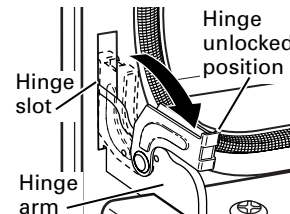


- C Pull forward and remove the drawer.

### DOOR REMOVAL (optional)

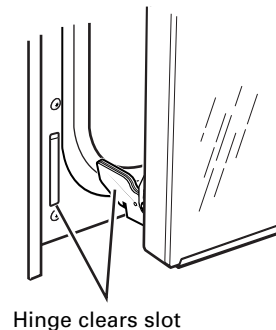
Door removal is not a requirement for installation of the product, but is an added convenience. To remove the door:

- A Open the oven door as far as it will go.
- B Push both hinge locks down toward the door frame to the unlocked position. This may require a flat blade screwdriver.



### DO NOT LIFT THE DOOR BY THE HANDLE!

- C Place hands on both sides of the door, and close the oven door to the removal position. This is half way between the broil stop and fully closed.
- D Lift door up and out until the hinge arms clear the slots.



**NOTE:** The oven door is very heavy. Be sure you have a firm grip before lifting the oven door off the hinges. Use caution once the door is removed. Do not lay the door on its handle. This could cause dents or scratches.

### 1 REMOVE SHIPPING MATERIALS

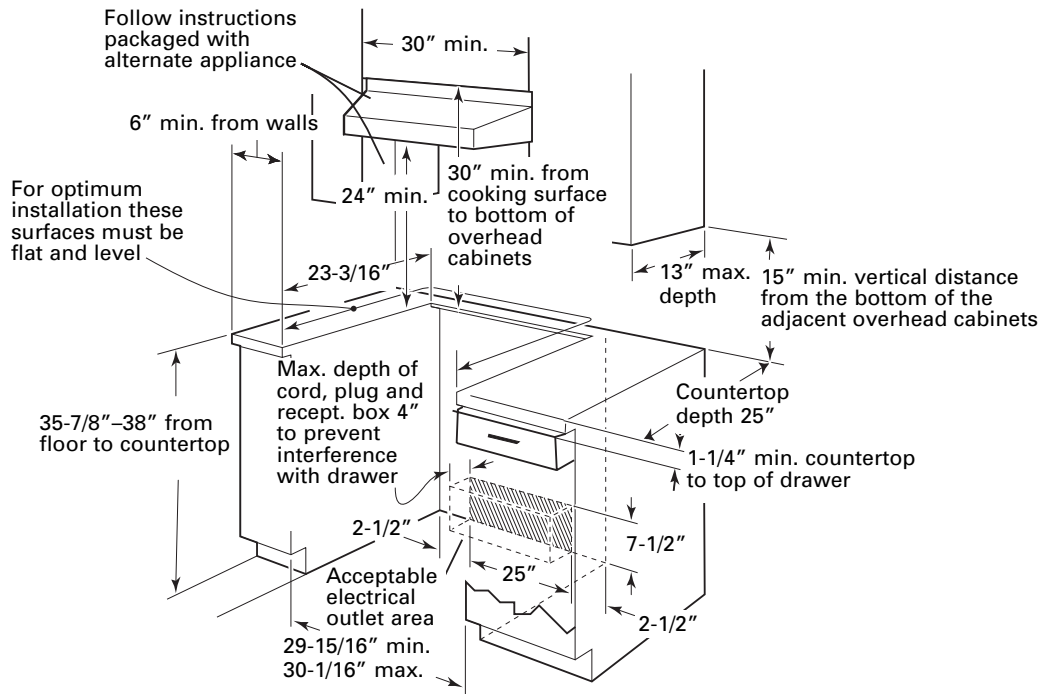
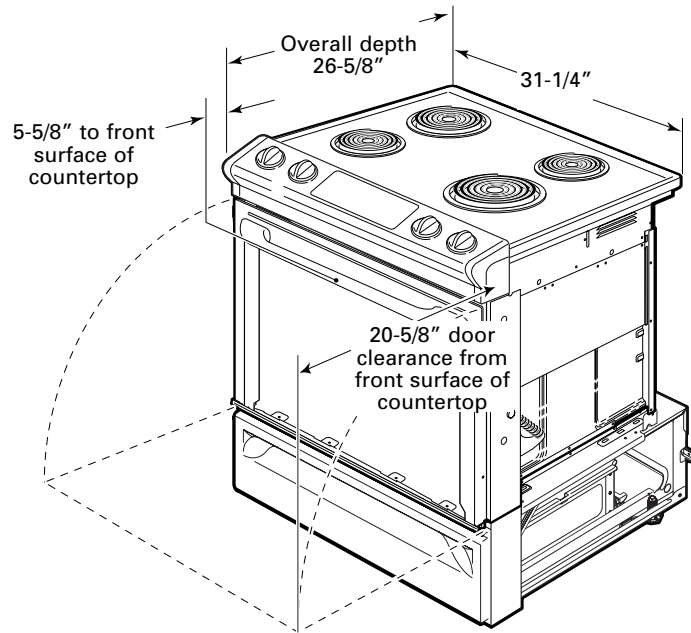
Remove all parts from the plastic bag found inside the prepack of the oven and save packaging tape.

# Installation Instructions

## 2 MINIMUM CLEARANCES

- The distance from the floor to the top of the counter must be at least 35-7/8". The maximum counter height is 38".
- 30" ranges conform to U.L. requirements for 0" spacing from vertical walls below countertops. Allow 1/4" minimum clearance at the back wall above the countertop. However, some kitchen cabinet finishes can be damaged by heat from the range surface elements. Where varnished wood or plastic film finishes are used, a minimum clearance of 6" must be maintained.
- For listed over-the-range microwave ovens, the microwave ovens can be installed above the cooktop as per manufacturer's installation instructions.
- All rough-in and spacing dimensions must be met for safe use of your range. The location of the electrical outlet may be changed as needed, but electricity to the range can be disconnected at the outlet without moving the range if the outlet is in the suggested location (remove lower drawer).

Make sure the wall coverings, countertop and cabinets around the cooktop can withstand the heat (up to 200°F) generated by the range.



# Installation Instructions

## PREPARE TO INSTALL THE RANGE (CONT.)

### 3 PREPARATION

- Remove all tape and packaging. Be sure to remove clear plastic film that covers some chrome parts (around glass oven doors, side trim) and any tape and packaging from inside the oven.
- Take the accessory pack out of the oven.
- Check to be sure that no range parts have come loose during shipping.



#### REMOVING PACKAGING MATERIAL

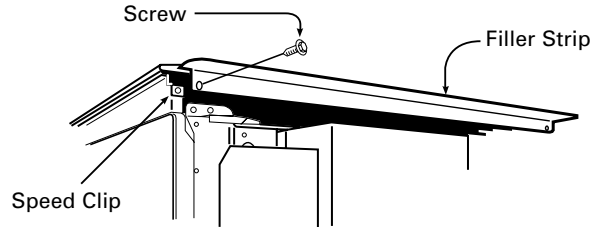
Any packaging materials must be removed during installation.

This will include adhesive tape, wire ties, cardboard and protective plastic. Failure to remove these materials could result in damage to the appliance once the appliance has been turned on and surfaces have heated.

### 4 PREPARE THE COUNTER

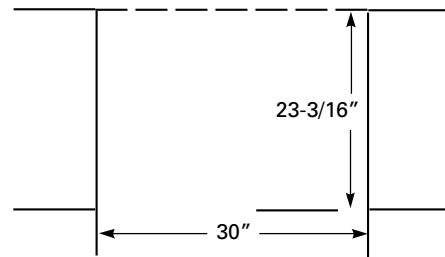
If you have an existing 30" wide cutout that goes all the way to the wall, you have the option to buy a 4" Backguard, Model #JXS32XX or a Main Top Rear Filler Kit, Model #JXS66XX. These kits are available through your GE dealer, if the existing cutout is in a counter that has a backsplash (post-formed top) we recommend that you use the 4" backguard kit.

### 4 PREPARING THE COUNTER (CONT.)



Determine the dimension of your cutout. Dimensions given are from front of counter and not from cabinet face. To minimize chipping you may want to apply masking tape to the counter and mark the cut on top of the tape. Use a hand or saber saw to make the cut. For best appearance it is important that the cut be smooth and straight.

If you are NOT using the Filler or Backguard:

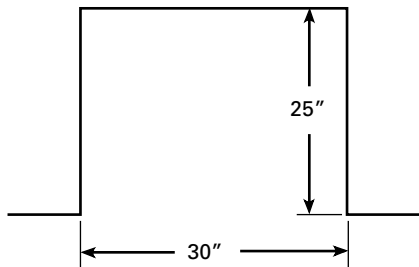


If you have a countertop deeper than 25" and you wish to set the range further back into the counter, the cutout may be cut deeper (up to 24-1/2"), but there must be at least 24-1/2" from the front edge of the countertop and back wall.

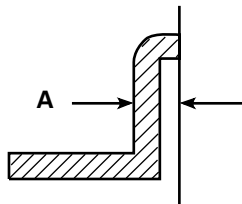
# Installation Instructions

## 4 PREPARE THE COUNTER (CONT.)

If you are using the Filler or Backguard:



**NOTE:** If the distance from the back wall to the front of the counter backsplash (Dimension A) is greater than the standard 1-1/8", there will be a small gap between the wall behind the range and the backguard. This is normal and should not be visually objectionable.



## 5 SIDE TRIM EXTENSION KIT

If there is a small gap between the sides of the range and the cabinets (up to 1/4" each side), you can order a side trim extension kit, JXS86XX, through the GE service center.

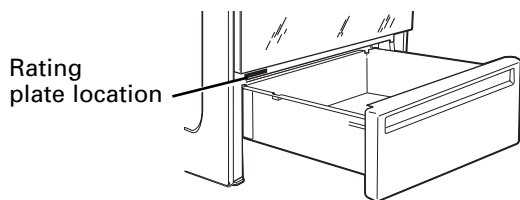
# Installation Instructions

## ELECTRICAL CONNECTIONS

### ELECTRICAL REQUIREMENTS

**⚠ CAUTION:** For personal safety, do not use an extension cord with this appliance. Remove house fuse or open circuit breaker before beginning installation.

This appliance must be supplied with the proper voltage and frequency, and connected to an individual properly grounded branch circuit, protected by a circuit breaker or fuse having amperage as specified on the rating plate. The rating plate is located above the storage drawer on the oven frame.



We recommend you have the electrical wiring and hookup of your range connected by a qualified electrician. After installation, have the electrician show you where your main range disconnect is located.

Check with your local utilities for electrical codes which apply in your area. Failure to wire your oven according to governing codes could result in a hazardous condition. If there are no local codes, your range must be wired and fused to meet the requirements of the National Electrical Code, ANSI/NFPA No. 70—Latest Edition. You can get a copy by writing:

National Fire Protection Association  
Batterymarch Park  
Quincy, MA 02269

**Effective January 1, 1996, the National Electrical Code requires that new construction (not existing) utilize a 4-conductor connection to an electric range.**

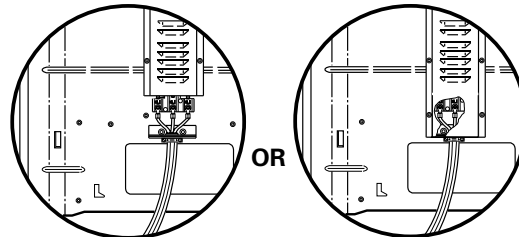
**When installing an electric range in new construction, follow Steps 3 and 5 for 4-wire connection.**

You must use a 3-wire, single-phase A.C. 208Y/120 Volt or 240/120 Volt, 60 hertz electrical system.

If the electrical service provided does not meet the above specifications, have a licensed electrician install an approved outlet.

### TO MAKE ELECTRICAL CONNECTION

- Remove the junction block access cover (on range back). When re-installing one-piece wire cover, make sure that wire does not become pinched between wire cover and mainback.



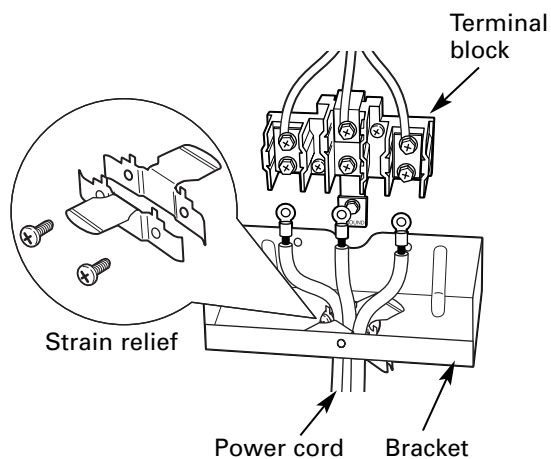
- All new constructions, mobile homes, recreational vehicle and installations where local codes do not allow grounding through neutral, require a four-wire flexible cord kit. If the range is rated between 8,750 and 16,500 watts, a range cord kit rated for 40 amps and a minimum of 125/250 Volts is required. If the range is rated between 16,501 and 22,500 watts, a range cord kit rated for 50 amps and a minimum of 125/250 Volts is required. For existing construction, a three wire flexible cord kit may be used, and the same ratings apply as described above.
- When using a cord rated 40 Amps, remove the next to outermost knockout (1-3/8" diameter) in the connection plate. Likewise, when using a cord rated 50 Amps, remove the outermost knockout (1-3/4" diameter) in the plate.
- Terminations shall be either closed loop terminals or open-end spade lugs with upturned ends. You must use a clamp or strain relief to hold the cord.

# Installation Instructions

## 1 POWER CORD AND STRAIN RELIEF INSTALLATION

- For power cord installations only (see the next step if using conduit), assemble the strain relief in the hole. Insert the power cord through the strain relief and tighten. Allow enough slack to easily attach the cord terminals to the terminal block. If tabs are present at the end of the winged strain relief, they can be removed for better fit.

**NOTE: Do not install the power cord without a strain relief. The strain relief bracket should be installed before reinstalling the rear range wiring cover.**

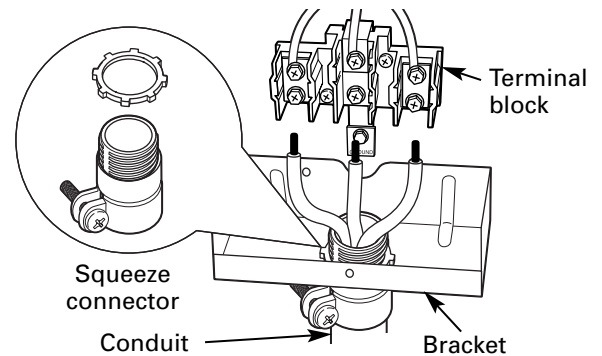


Skip to applicable power cord installation.

## 2 CONDUIT AND SQUEEZE CONNECTOR INSTALLATION

- For conduit installations only, purchase a squeeze connector matching the diameter of your conduit and assemble it in the hole. Insert the conduit through the squeeze connector and tighten. Allow enough slack to easily attach the wires to the terminal block.

**NOTE: Do not install the conduit without a squeeze connector. The squeeze connector should be installed before reinstalling the rear range wiring cover.**



Skip to applicable conduit installation.



# Installation Instructions

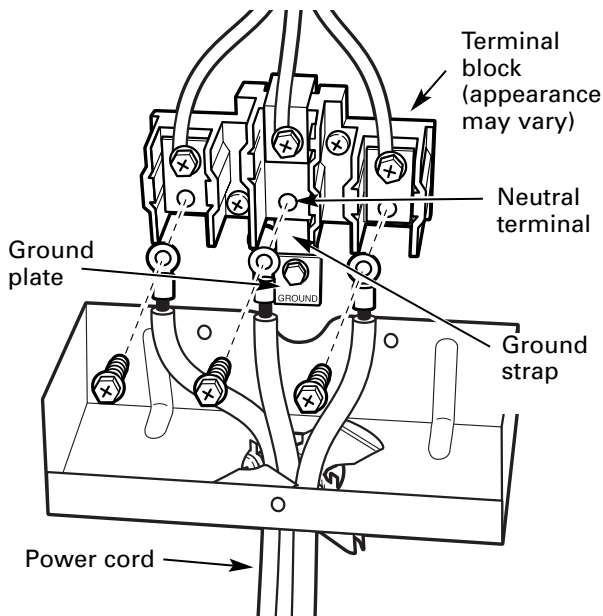
## ELECTRICAL CONNECTIONS (CONT.)

### 3 3-WIRE POWER CORD INSTALLATION

**⚠ WARNING:** The neutral or ground wire of the power cord must be connected to the neutral terminal located in the center of the terminal block. The power leads must be connected to the lower left and the lower right terminals of the terminal block.

**A** Remove the 3 lower terminal screws from the terminal block. Insert the 3 terminal screws through each power cord terminal ring and into the lower terminals of the terminal block. Be certain that the center wire (white/neutral) is connected to the center lower position of the terminal block. Tighten screws securely into the terminal block.

**DO NOT remove the ground strap connection.**



**B** Re-install the junction block access cover making sure that wires do not become pinched between wire cover and mainback.

### 4 4-WIRE POWER CORD INSTALLATION

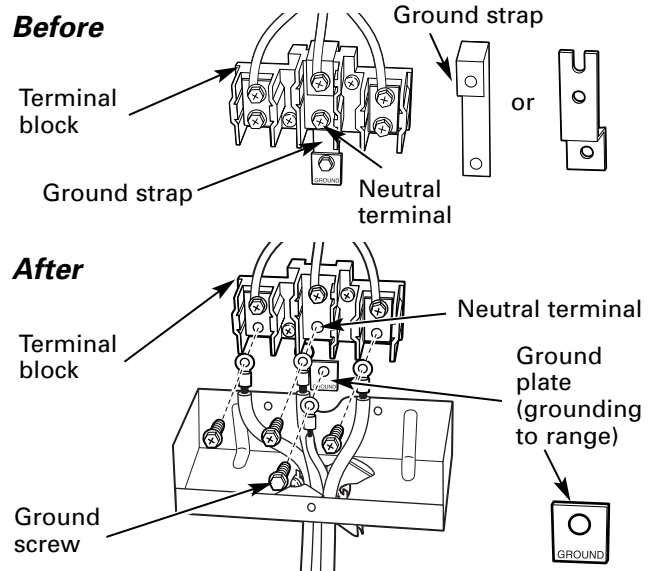
**⚠ WARNING:** The neutral wire of the supply circuit must be connected to the neutral terminal located in the lower center of the terminal block. The power leads must be connected to the lower left and the lower right terminals of the terminal block. The 4th grounding lead must be connected to the frame of the range with the ground plate and the ground screw.

**A** Remove the 3 lower terminal screws from the terminal block. Remove the ground screw and ground plate and retain them.

**B** Cut and discard the ground strap. **DO NOT DISCARD ANY SCREWS.**

**C** Insert the one ground screw into the power cord ground wire terminal ring, through the ground plate and into the frame of the range.

**D** Insert the 3 terminal screws (removed earlier) through each power cord terminal ring and into the lower terminals of the terminal block. Be certain that the center wire (white/neutral) is connected to the center lower position of the terminal block. Tighten screws securely into the terminal block.



**E** Re-install the junction block access cover making sure that wires do not become pinched between wire cover and mainback.



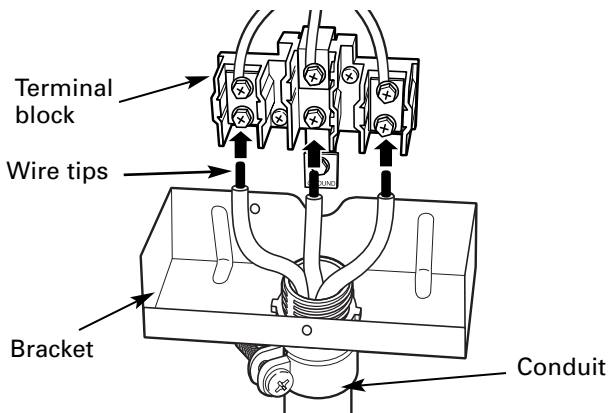
# Installation Instructions

## 5 3-WIRE CONDUIT INSTALLATION

- A** Loosen the 3 lower terminal screws from the terminal block. Insert the center bare wire (white/neutral) tip through the bottom center terminal block opening. On certain models, the wire will need to be inserted through the ground strap opening and then into the bottom center block opening. Insert the two side bare wire tips into the lower left and the lower right terminal block openings. Tighten the screws until the wire is firmly secured (35 to 50 inch-lbs.). Do not overtighten the screws since it could damage the wires.

### NOTE: ALUMINUM WIRING:

Aluminum building wire may be used but it must be rated for the correct amperage and voltage to make connection. Connect wires according to this step for 3-wire conduit or the next step for 4-wire conduit.

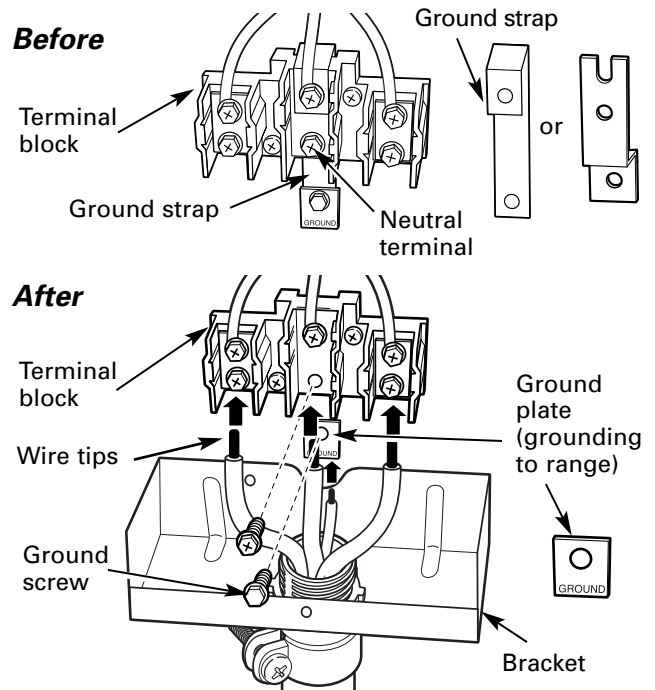


**Wire used, location and enclosure of splices, etc., must conform to good wiring practices and local codes.**

- B** Re-install the junction block access cover making sure that wires do not become pinched between wire cover and mainback.

## 6 4-WIRE CONDUIT INSTALLATION

- A** Loosen the three lower terminal screws from the terminal block. Remove the ground screw and ground plate and retain them. **Cut and discard the ground strap. DO NOT DISCARD ANY SCREWS.**
- B** Insert the ground bare wire tip between the range frame and the ground plate (removed earlier) and secure it in place with the ground screw (removed earlier). Insert the bare wire (white/neutral) tip through the bottom center of the terminal block opening. Insert the two side bare wire tips into the lower left and the lower right terminal block openings. Tighten the screws until the wire is firmly secured (35 to 50 inch-lbs.) Do not overtighten the screws since it could damage the wires.



**Wire used, location and enclosure of splices, etc., must conform to good wiring practices and local codes.**

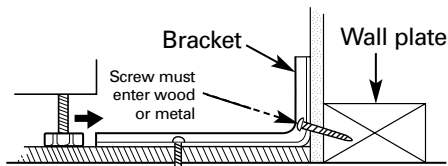
- C** Re-install the junction block access cover making sure that wires do not become pinched between wire cover and mainback.

# Installation Instructions

## INSTALL THE RANGE

### 1 ANTI-TIP DEVICE INSTALLATION

An **Anti-Tip bracket** is supplied with instructions for installation in a variety of locations. The instructions include all necessary information to complete the installation. Read the **Safety Instructions** and the instructions that fit your situation before beginning installation.



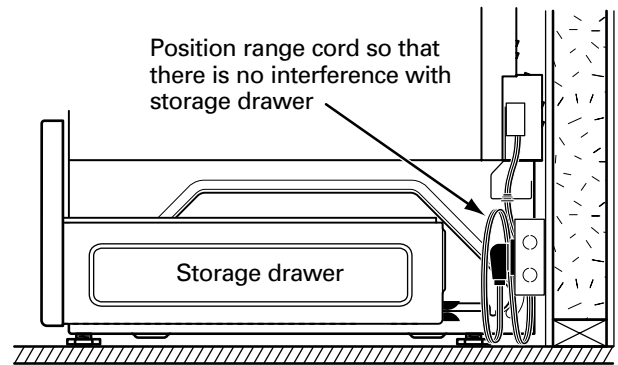
Typical installation of anti-tip bracket attachment to wall

### ⚠ WARNING:

- Range must be secured by **Anti-Tip bracket** supplied.
- If the Anti-Tip device supplied with the range does not fit this application, use the universal Anti-Tip device WB2X7909.
- See instructions to install (supplied with bracket).
- Unless properly installed, the range could be tipped by stepping or sitting on the door. Injury may result from spilled hot liquids or from the range itself.

### 2 SLIDE RANGE INTO OPENING

- A** On models with a power cord, plug it into the receptacle. Locate the cord in the back of the range in a manner that it will not touch or be moved by the drawer.

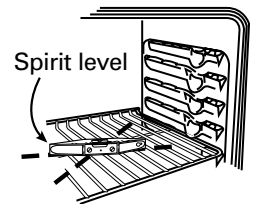


- B** Carefully push the range into the opening.

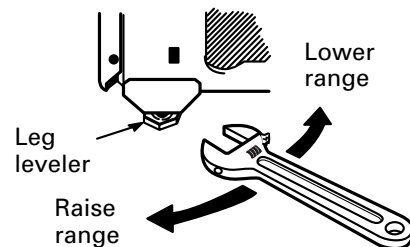
### 3 LEVEL THE RANGE

- A** Install the oven shelves in the oven and position the range where it will be installed.

- B** Check for levelness by placing a spirit level or a cup, partially filled with water, on one of the oven shelves. If using a spirit level, take two readings—with the level placed diagonally first in one direction and then the other.



- C** The front leveling legs can be adjusted from the bottom and the rear legs can be adjusted from the top or the bottom.



- D** Use an open-end or adjustable wrench to adjust the leveling legs until the range is level.

# Installation Instructions

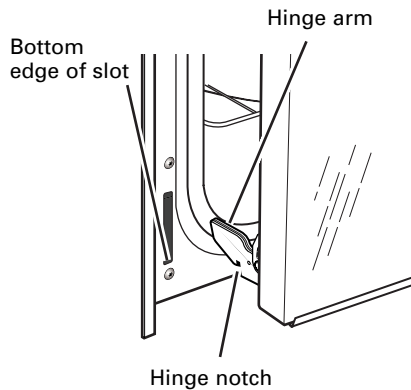
## 4 REPLACING THE OVEN DOOR

**NOTE:** The oven door is heavy. You may need help lifting the door high enough to slide it into the hinge slots. Do not lift the door by the handle.

- A** Lift the oven door by placing one hand on each side. The door is heavy, so you may need help. Do not lift the door by the handle.

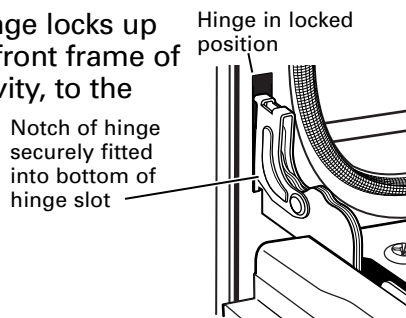


- B** With the door at the same angle as the removal position (halfway between the closed and broil stop position), seat the notch of the hinge arm into the bottom edge of the hinge slot. The notch of the hinge arm must be fully seated into the bottom of the slot.



- C** Open the oven door as far as it will open.

- D** Push the hinge locks up against the front frame of the oven cavity, to the locked position.



- E** Close the oven door.

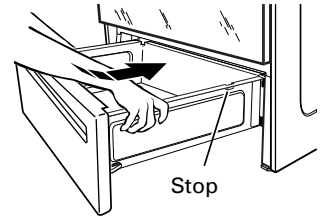
## 5 REPLACING THE STORAGE DRAWER

- A** Place the drawer rail on the guides.

- B** Push the drawer in until it stops.

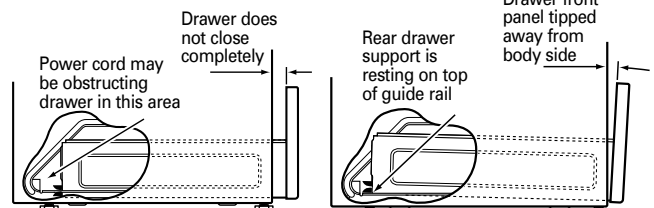
- C** Lift the front of the drawer and push in until the stops clear the guides.

- D** Lower the front of the drawer and push in until it closes.



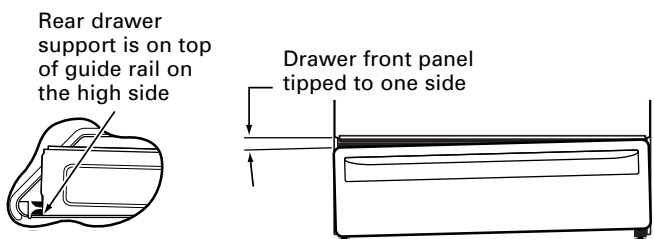
### SPECIAL INSTRUCTIONS IF YOU ARE HAVING PROBLEMS WHILE REPLACING THE STORAGE DRAWER

#### If drawer won't close:



Remove and replace, making sure the power cord is not obstructing the drawer and/or the rail is in the guide.

#### If drawer is crooked:



Remove and replace, making sure the rail is in the guide.

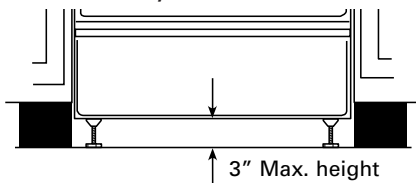
# Installation Instructions

## 6 IMPORTANT INSTALLATION INSTRUCTIONS FOR RANGES USED WITH COUNTERTOP HEIGHTS UP TO 38"

The height of the range must be adjusted to the countertop height. For countertop heights greater than 37", additional measurements may need to be taken as detailed below.

When the range is elevated to the maximum height, there is a large space between the bottom of the range and the floor, referred to as the toe space. This may be visually objectionable. The legs should not be extended any further than to provide a maximum of 3" toe space.

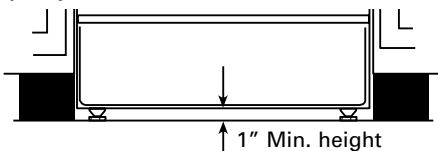
The range is designed to provide a minimum of 1" air gap at the bottom of the range. (Example: When legs are screwed all the way into the base rail.)



This gap is very important to the proper ventilation of the range and must be maintained when treating the appearance of the toe space.

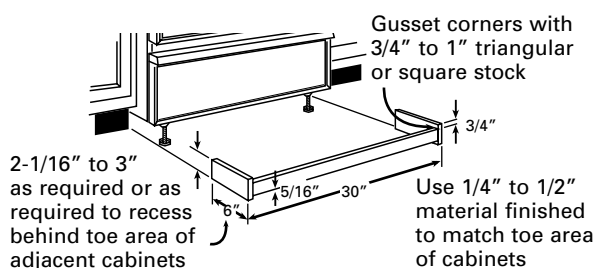
The following is a suggested method of making a filler for the toe space when the legs are extended as mentioned before.

After the range is installed with the longer legs and is in position and level, measure from the bottom of the bodyside to the floor. This will be the required height of the toe space filler. This height may range from 2-1/16" to 3". Any height less than 2-1/16" may not be visually objectionable and not need the filler.



Build the filler as shown. Make sure to provide the 3/4" gap at the top and the 5/16" gap at the bottom. These gaps will provide the proper ventilation as mentioned before.

If you wish to attach the filler to the floor or adjacent cabinets, use screws or other removable fasteners, so that the range can be readily removed if necessary.



## 7 FINAL INSTALLATION CHECKLIST

- Check to make sure the circuit breaker is closed (RESET) or the circuit fuses are replaced.
- Be sure power is in service to the building.
- Check to be sure that all packing materials and tape have been removed. This will include tape on metal panel under control knobs (if applicable), adhesive tape, wire ties, cardboard and protective plastic. Failure to remove these materials could result in damage to the appliance once the appliance has been turned on and surfaces have heated.
- Check to make sure that the door and drawer are parallel to each other and that both operate smoothly. If they do not, see the Owner's Manual for proper replacement.
- Check to make sure that the rear leveling leg is fully inserted into the Anti-Tip bracket and that the bracket is securely installed.

## 8 OPERATION CHECKLIST

- Turn on one of the surface units to observe that the element glows within 60 seconds. Turn the unit off when glow is detected. If the glow is not detected within the time limit, recheck the range wiring connections. If change is required, retest again. If no change is required, have building wiring checked for proper connections and voltage.
- Check to make sure the Clock (on models so equipped) display is energized. If a series of horizontal red lines appear in the display, disconnect power immediately. Recheck the range wiring connections. If change is made to connections, retest again. If no change is required, have building wiring checked for proper connections and voltage. It is recommended that the clock be changed if the red lines appear.
- Be sure all range controls are in the OFF position before leaving the range.