

JS900SK

GE Profile™ 30" Slide-In Electric Range

Dimensions and Installation Information (in inches)

KW Rating	
240V	11.6
208V	8.7
Breaker Size	
240V	40 Amps
208V	40 Amps

Note: Cabinets installed adjacent to slide-in ranges must have an adhesion spec of at least 194° temperature rating.

Note: 30" ranges conform to U.L. requirements for 0" spacing from adjacent walls below countertops. To reduce possibility of scorching walls, engineering recommends a minimum of 1-1/2" spacing to allow for possible extended, high-heat, no-load heating element operation.

Receptacle Locations: For all 30" Slide-In Ranges locally approved flexible service cord or conduit must be used because terminals are not accessible after range installation. See shaded area in drawing for location of electrical outlet box. Recommended outlet locations allow range to be installed directly against rear wall.

Optional Kits For Slide-In Electric Ranges (Available At Additional Cost)

Accessory Backguards (Attaches to the back of range as a backguard when unit is installed in 30" free-standing cutout)

JXS32SS (Stainless) - 4" High
JXS32WW (White) - 4" High
JXS32CC (Bisque) - 4" High
JXS32BB (Black) - 4" High

JXS37WW (White) - 5-1/4" High
JXS37CC (Bisque) - 5-1/4" High
JXS37BB (Black) - 5-1/4" High

Body Sides

(Slide-in ranges are sold without sides installed. Can be installed on either left or right when unit has one exposed side [no cabinet adjacent]. Kit contains 1 body side)
JXS77WW (White)
JXS77CC (Bisque)
JXS77BB (Black)

Vertical Side Trim Kits

(If cabinet cutout width is more than 30", a vertical side trim kit may be used to close the gap between the range and cabinet)
JXS86WW (White)
JXS86CC (Bisque)
JXS86BB (Black)

Optional Lower Trim Kits

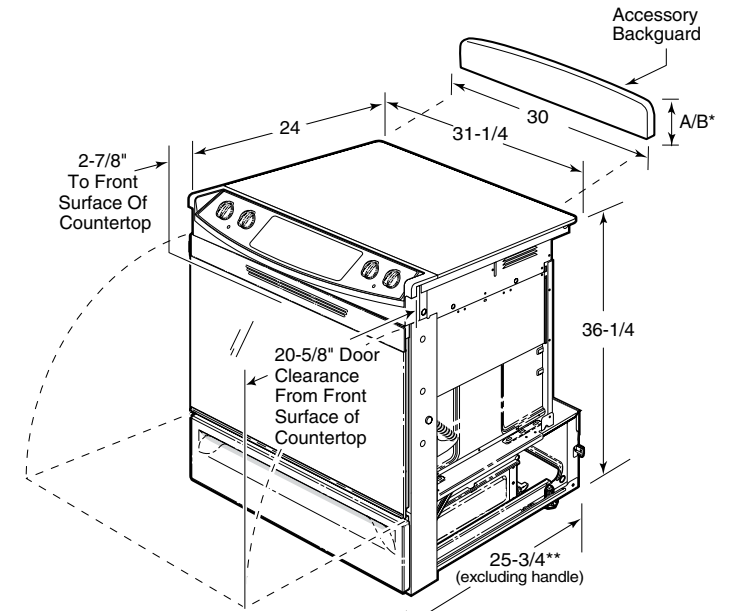
(If counter height is greater than 36.5", a lower trim kit is recommended to extend the useful height to 38" maximum)
JXS56WW - White
JXS56CC - Bisque
JXS56BB - Black

Optional Top Filler Kits

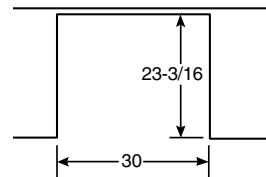
JXS66WW - White
JXS66CC - Bisque
JXS66BB - Black

Installation information: Before installing, consult installation instructions packed with product for current dimensional data.

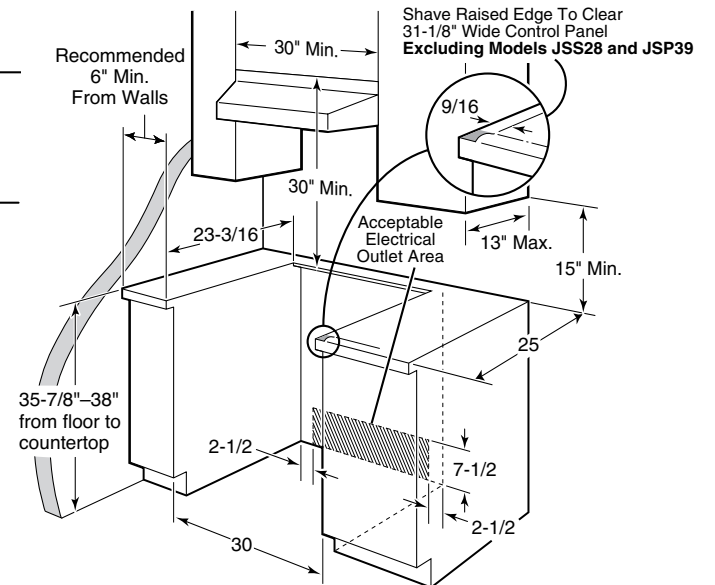
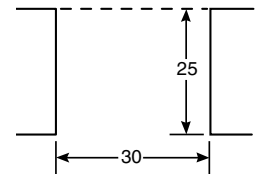
For answers to your Monogram®, GE Profile™ or GE® appliance questions, visit our website at ge.com or call GE Answer Center® service, 800.626.2000.



If you are NOT using the Filler strip or Backguard:



If you are using the Filler strip or Backguard:



imagination at work



All GE ranges are equipped with an Anti-Tip device. The installation of this device is an important, required step in the installation of the range.



Listed by Underwriters Laboratories



Specification Revised 1/08

220435

JS900SK

GE Profile™ 30" Slide-In Electric Range

Features and Benefits

- Self-Clean Oven - Conveniently cleans the oven cavity without the need for scrubbing
- Electronic Oven Controls - One-touch electronic pads are easy-to-use and allow for simple oven operation
- Dual Size Ribbon Element - Offers a convenient choice of using a 6" or 9" heating element, depending on the size of the pan
- Super-Large Oven Capacity - Provides an impressively large oven interior for cooking more dishes and large meals at one time
- TrueTemp™ System - Delivers even heat distribution and maximum oven control
- Ribbon Heating Elements - Provide powerful heat beneath a smooth glass surface to ensure even heat and fast warm-up times
- Ceramic Glass Cooktop - A smooth cooktop surface makes cleaning quick and easy
- Six-Pass Bake Element - A powerful, continuous heating element that loops throughout the oven, delivering evenly cooked foods
- Warm Mode - Help keep just-cooked foods warm and at the ideal serving temperature
- Proof Mode - Specialized mode allows dough to rise quickly and efficiently
- Two Oven Racks - Feature a durable construction to help accommodate any size or type of cookware
- Certified Sabbath Mode - Prepared foods can stay warm in accordance with kosher law
- Model JS900WKWW - Stainless steel (Stainless steel door and black patterned cooktop)



imagination at work