

# JK955BF/CF/WF

## GE Profile™ 27" Built-In Double Oven

### Dimensions and Installation Information

KW Rating	
240V	6.8
208V	5.1
Breaker Size	
240V	30 Amps
208V	30 Amps

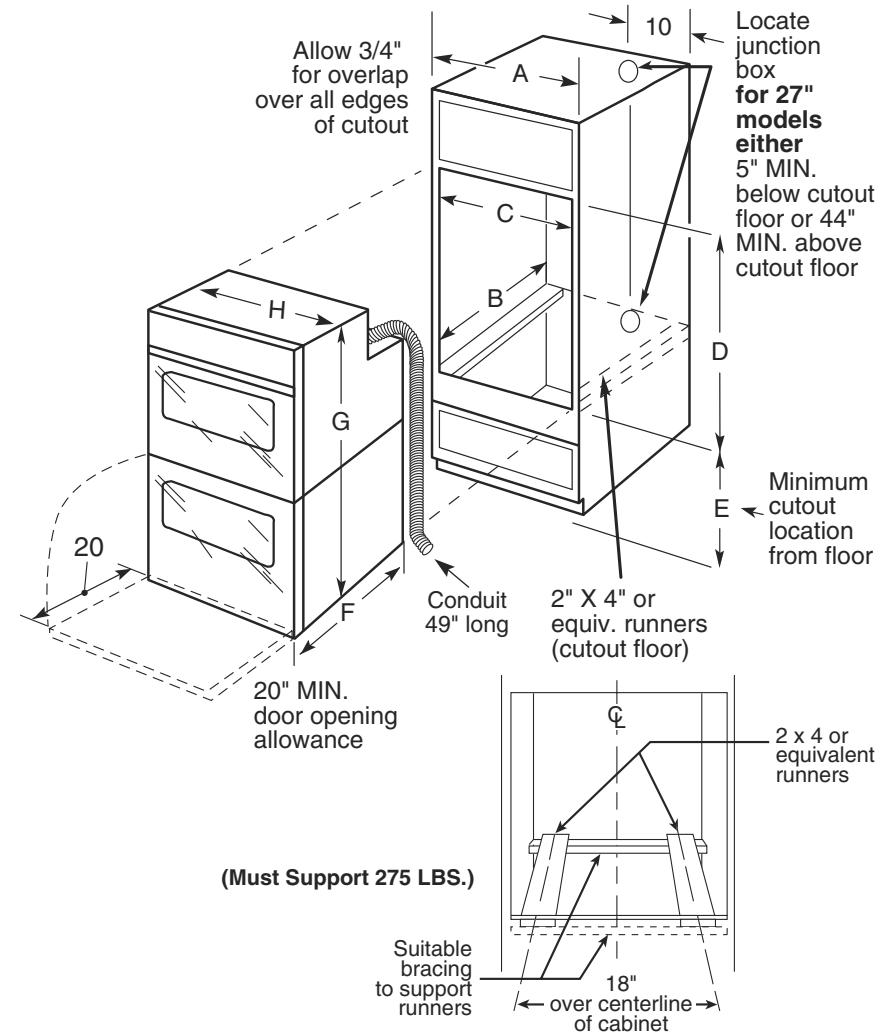
Cabinet	27"
A - Cabinet Width Required	27" min.
B - Minimum Cabinet Depth	23-5/8"
C - Opening Width	25" min. - 25-1/4" max.
D - Opening Height	50-1/8" max.
E - Recommended Minimum Cutout Location from Floor	13-1/4"
Oven	
F - Overall Depth	23-5/8"
	w/o trim
	50-1/4"
G - Overall Height	with trim
	51"
H - Overall Width	26-5/8"

**Note:** Cabinets installed adjacent to wall ovens must have an adhesion spec of at least a 194°F temperature rating. For 27" built-in single ovens, if marks, blemishes or the cutout opening is visible above the installed oven, it may be necessary to add wood shims under the runners and front trim until the marks or openings are covered.

**Electric wall ovens are not approved for installation with a plug and receptacle. They must be hard wired in accordance with installation instructions.**

**Installation Information:** Before installing, consult installation instructions packed with product for current dimensional data.

For answers to your Monogram,® GE Profile™ or GE® appliance questions, visit our website at [ge.com](http://ge.com) or call GE Answer Center® service, 800.626.2000.



Dimension and installation information are shown in inches.



imagination at work



Specification Revised 1/05

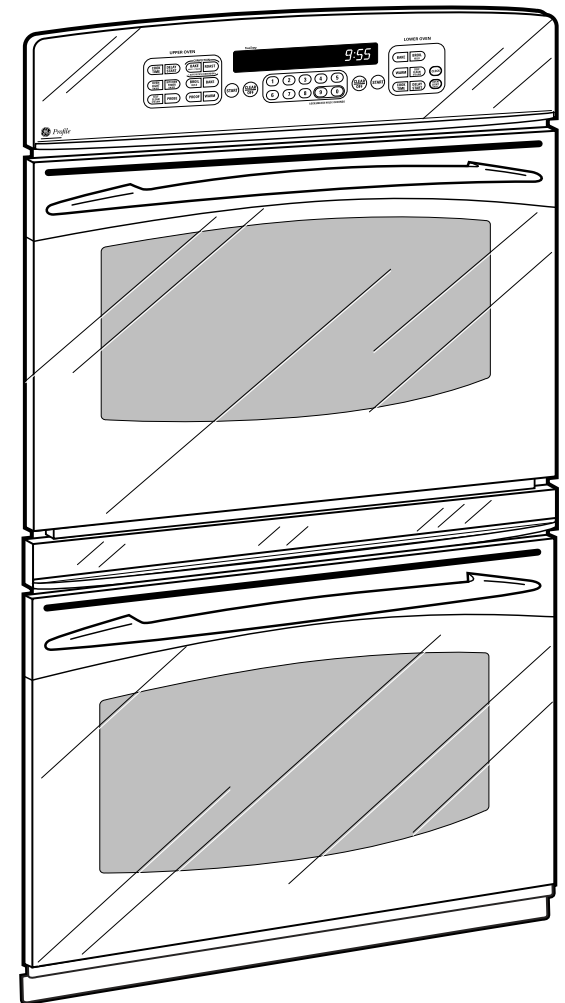
220352

# JK955BF/CF/WF

## GE Profile™ 27" Built-In Double Oven

### Features and Benefits

- Precise Air™ convection system (Upper Oven Only) - Provides even air and heat circulation for superior baking and roasting results
- Convection bake (multi-rack) (Upper Oven Only) - Provides you with ideal convection baking for multiple racks of food, ensuring superb results
- Convection roast (Upper Oven Only) - Delivers even cooking and consistent results, roasting meats up to 25% faster than a conventional oven
- Glass touch oven controls - Feature a smooth glass design that is both easy-to-operate and easy-to-clean
- Self-clean oven - Conveniently cleans oven cavity without the need for scrubbing
- Extra-large oven capacity - Provides a large oven interior ideal for cooking more items at once
- TrueTemp™ system - Delivers even heat distribution and maximum oven control
- Model JK955WFWW - White on white
- Model JK955CFCC - Bisque on bisque
- Model JK955BFBB - Black on black



imagination at work