

PB970BM/TM

GE Profile™ 30" Free-Standing Double Oven Range

Dimensions and Installation Information (in inches)

KW Rating	
240V	13.9
208V	10.4
Breaker Size	
40 Amps†	

†**Note:** Check local codes for required breaker size.

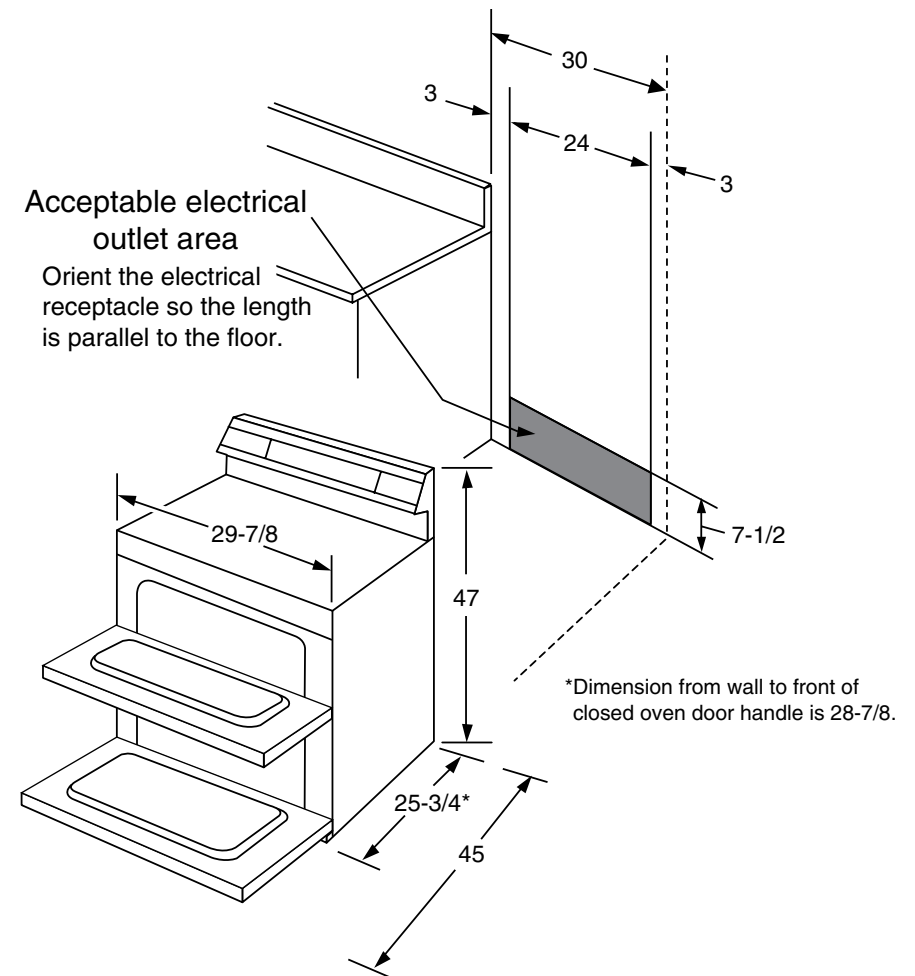
Effective January 1, 1996, the National Electrical Code requires that new construction (not existing) utilize a 4-conductor connection to an electric range.

Receptacle Locations: Locally approved flexible service cord or conduit must be used because terminals are not accessible after range installation. See shaded area in drawing for location of electrical outlet box. Recommended outlet locations allow range to be installed directly against wall.

Note: 30" ranges conform to U.L. requirements for 0" spacing from adjacent walls below countertops. To reduce possibility of scorching walls, engineering recommends a minimum of 1-1/2" spacing to allow for possible extended, high-heat, no-load heating element operation.

Installation information: Before installing, consult installation instructions packed with product for current dimensional data.

For answers to your Monogram®, GE Profile™ or GE® appliance questions, visit our website at ge.com or call GE Answer Center® service, 800.626.2000.



All GE ranges are equipped with an Anti-Tip device. The installation of this device is an important, required step in the installation of the range.



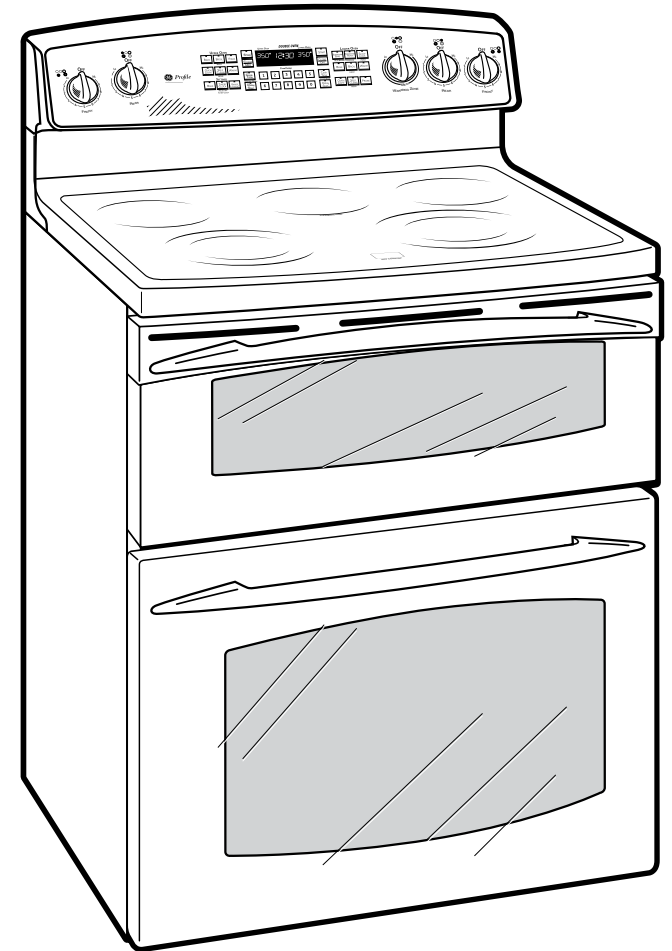
Listed by Underwriters Laboratories

PB970BM/TM

GE Profile™ 30" Free-Standing Double Oven Range

Features and Benefits

- Upper Oven - With an additional 2.1 cu. ft. of capacity, the upper oven is perfect for preparing food items at the same time as the lower oven
- Large 4.4 Cu. Ft. Lower Oven Capacity - Provides an impressively large oven interior to cook more dishes and large meals at once
- Self-Clean Oven - Conveniently cleans the oven cavity without need of scrubbing
- Dual Size Ribbon Element - Offers a convenient choice of using a 6" or 9" on one and a 9" or 12" on the other heating element, depending on the size of the pan
- Warming Zone - Provides low heat capability for foods, making meal coordination simple
- Self-Clean Heavy-Duty Oven Racks - Double coated porcelain-enameled racks no longer require hand cleaning
- TrueTemp™ System - Delivers even heat distribution and maximum oven control
- Eight-Pass Broil Element - Provides more even coverage of the food
- Double Oven Controls - Glass touch controls are easy to clean and provide easy instruction
- Model PB970BMBB – Black on black (black glass door and black patterned cooktop)
- Model PB970TMWW - True white (white glass door and true white cooktop)



imagination at work