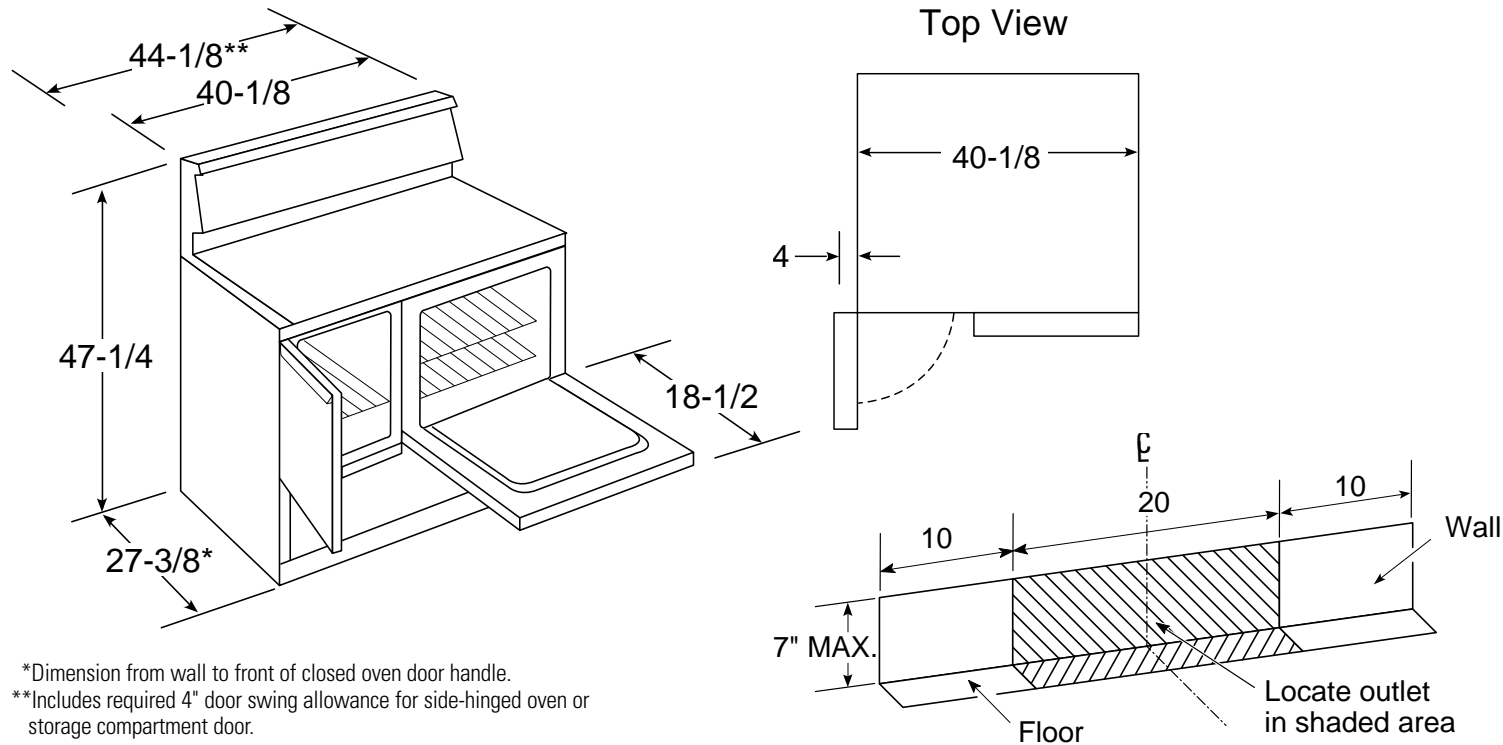




GE Appliances

JCP67FWW – GE 40" Free-Standing Electric Range

Installation Information (Dimensions in inches)



*Dimension from wall to front of closed oven door handle.
 **Includes required 4" door swing allowance for side-hinged oven or storage compartment door.

KW Rating	
240V	14.2
208V	10.7

Receptacle Locations: For all 40" Free-Standing Ranges locally approved flexible service cord or conduit must be used because terminals are not accessible after range installation. See shaded area in drawing for location of electrical outlet box. Recommended outlet locations allow range to be installed directly against rear wall.

Installation Information: Before installing, consult installation instructions packed with product for current dimensional data.

Specification Created 9/02



All GE ranges are equipped with an Anti-Tip device. The installation of this device is an important, required step in the installation of the range.



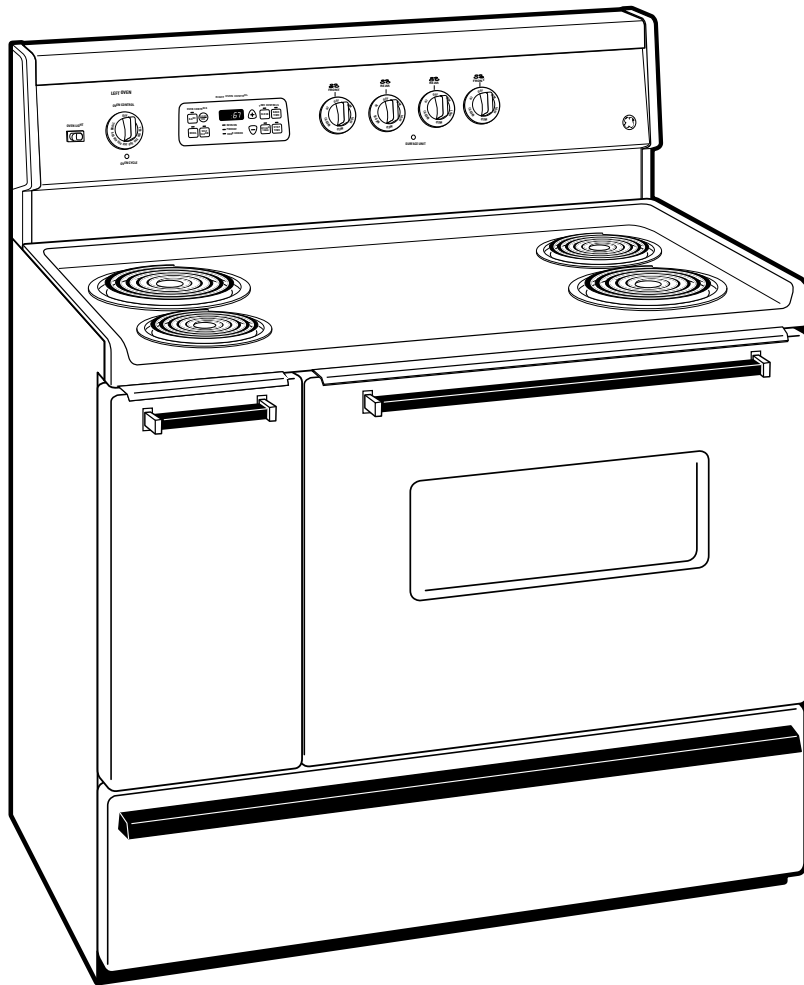
Listed by
Underwriters
Laboratories

For answers to your Monogram, GE Profile™ or GE appliance questions, visit our website at GEAppliances.com or call GE Answer Center® service, 800.626.2000.



GE Appliances

JCP67FWW – GE 40" Free-Standing Electric Range



Features and Benefits

- Two 8" and Two 6" Heating Elements
- Self-Cleaning Master Oven
- Standard Clean Companion Oven
- Electronic Clock and Minute Timer
- Automatic Oven Timer (Master Oven)
- Chrome Removable One-Piece Drop Bowls
- 1 Master and 1 Companion Broiler Pan with Grid
- 2 Master and 1 Companion Oven Rack
- Heating Element "On" Indicator Light
- Interior Oven Light
- Oven Cycling Light
- Storage Drawer
- Model JCP67FWW – White on White