



Cube

BC 10

inch 66x36x24 mm 1676x914x610

interior dimensions

rim: inch 54x24 mm 1372x610
base: inch 46x22 mm 1168x559
height: inch 20 mm 508

capacity to overflow

gal (us) - 68 liters - 257

weight

lb - 264 kg - 120

installation

1 wall, 2 walls or 3 walls

accessory

dark brown bridge

material

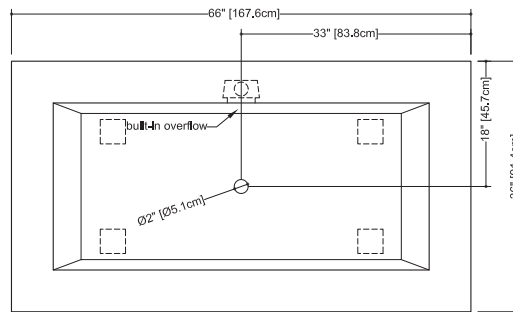
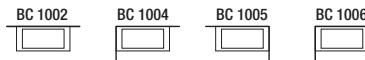
WETMAR™, glossy or mat finish

color

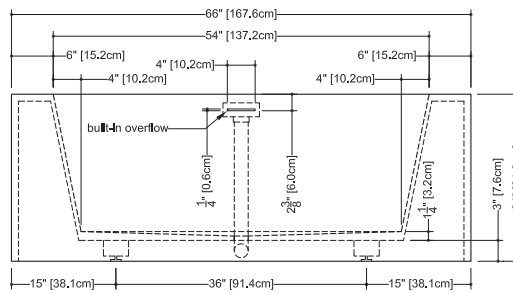
white

codes/standards applicable

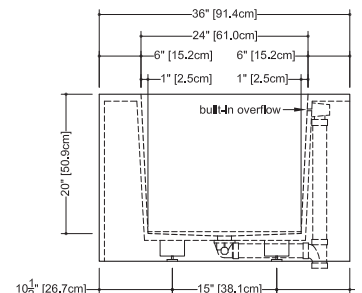
IAPMO-ANSI Z124.1 - IAPMO-ANSI Z124.3
CSA B 45.0 - CSA B45.4



plan view



front view



side view

WETSTYLE cannot be held responsible for any technical errors and reserves the right to make revisions without notice.

Approximate measurement.
The manufacturer accept 1/4" (6.35mm) variance.

www.WETSTYLE.CA - Montreal - Canada
Tel. 450.536.9000 - 1 888.536.9001 - Fax. 450.536.0202





Cube

BC 10

inch 66x36x24 mm 1676x914x610

■ **overflow**
slot design
polished chrome or brushed nickel

■ **drain**
soft toe touch
polished chrome or brushed nickel

■ **waste and overflow kit**
included

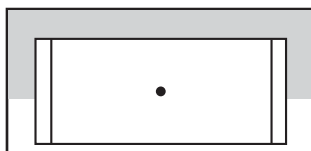
■ **faucet area recommended**
bath deck
or floor-mounted

■ **trap access**
white access panel

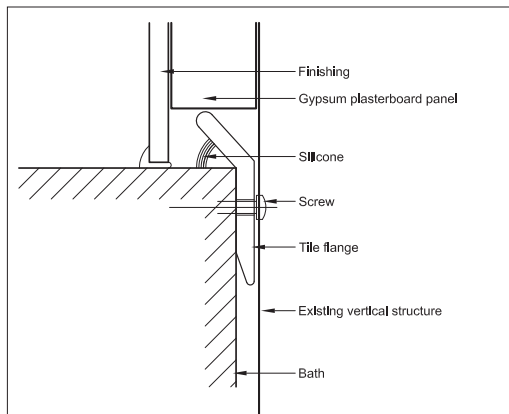
■ **option :**
overflow & drain
35" longneck waste and
overflow from Geberit

wide-deck bathtub;
wall shower installation
is not recommended

* Due to multiple possibilities,
faucet holes must be drilled by the plumber.



■ Faucet installation zone



side view

Tile flange - detail

Bathtub installation supplies

A tile flange will be supplied to comply with the requested position. Installed at the factory to prevent water leakage, this must be placed directly on the partition framing prior to the installation of drywall.

WETSTYLE cannot be held responsible for any technical errors and reserves the right to make revisions without notice.

Approximate measurement.
The manufacturer accepts 1/4" (6.35mm) variance.

www.WETSTYLE.CA - Montreal - Canada
Tel. 450.536.9000 - 1 888.536.9001 - Fax. 450.536.0202

