

Tolomeo micro LED table

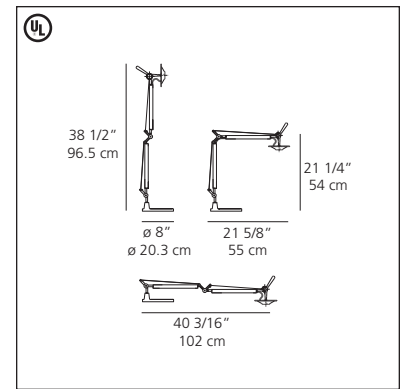
Michele De Lucchi, Giancarlo Fassina

Table standing luminaire for adjustable direct task LED lighting.

- fully adjustable articulated arm structures in polished aluminum
- joints and tension control knobs in polished die-cast aluminum
- internal tension springs and external tension control cables in stainless steel
- diffuser in aluminum and polycarbonate with incorporated touch dimmer

Choice of table mountings:

- \varnothing 8" (20.3 cm) base in weighted steel with stamped aluminum cover
- table clamp in die-cast aluminum, maximum opening is 2" (5 cm)
- table in-set pivot in die-cast aluminum, maximum table thickness is 2 1/2" (6.4 cm), hole is \varnothing 3/4" (1.9 cm)



Tolomeo micro LED table

LED source

- 7 LEDs/6W supplied

eco♥design

