

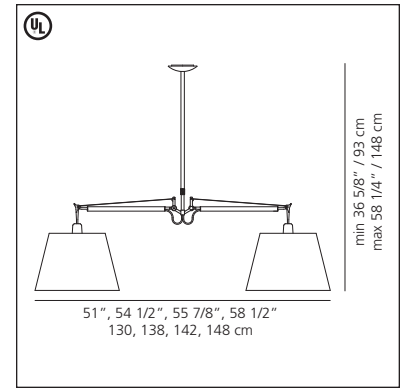
Tolomeo double shade suspension

Michele De Lucchi, Giancarlo Fassina

Stem suspended luminaire for adjustable direct and diffused incandescent or fluorescent lighting.

- fully adjustable articulating arms in extruded natural polished anodized aluminum
- joints and tension control knobs in polished die-cast aluminum, cables in stainless steel
- telescopic stem in chrome plated steel, adjustable at installation
- diffuser with aluminum frame available in parchment paper or pale grey satin and polycarbonate fiber blend
- mounting to standard electrical junction boxes
- newly redesigned to incorporate compact fluorescent option utilizing GU24 base with integrated ballast and lamp holder

eco♥design



Tolomeo double shade suspension 10" diffuser

incandescent source

- 2 x 100W (E26/A19).....

or

fluorescent source

- 2 x 13W (GX24q-1/T4).....

Tolomeo double shade suspension 12", 14", 17" diffuser

incandescent source

- 2 x 150W (E26/G40).....

or

fluorescent source

- 2 x 18W (GX24q-2/T4).....

