

Planar bollard

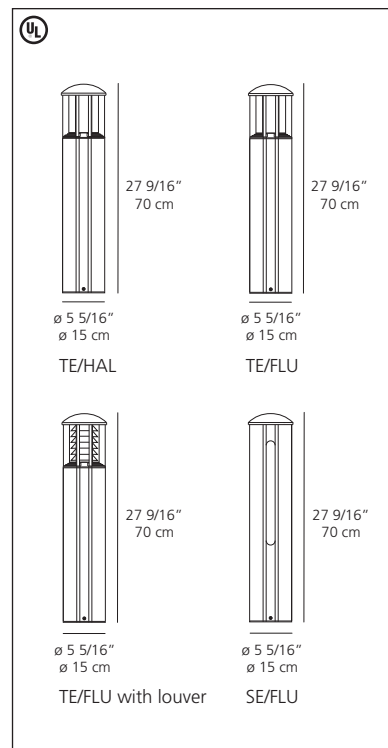
Eric Solè

Bollard mounted luminaires for direct and diffused halogen or fluorescent lighting, suitable for outdoor wet locations.

- body/bollard in die-cast aluminum with special corrosion resistant electrostatic powder coated finish in black
- fully gasketed with hardware in stainless steel
- direct anchorage to rigid surface (hardware by others)
- available in the following versions:
 - TE/HAL (top emission/halogen) clear polycarbonate diffuser with inner aluminum reflector
 - TE/FLU (top emission/fluorescent) clear/frosted polycarbonate diffuser with or without directional louver
 - SE/FLU (side emission/fluorescent) frosted polycarbonate lateral diffuser
- standardly equipped with thermally protected, class P, high power factor 120V electronic ballast (277V optional)
- U.L. listed for wet locations

eco design

Artemide
ARCHITECTURAL OUTDOOR



Planar bollard


TE/HAL

halogen source

- 1 x 50W (E26/PAR20)..... 


TE/FLU

fluorescent source

- 1 x 18W (G24q-2/T4)..... 

TE/FLU with louver

fluorescent source

- 1 x 18W (G24q-2/T4)..... 

SE/FLU

fluorescent source

- 1 x 39W (2G11/T5)..... 