

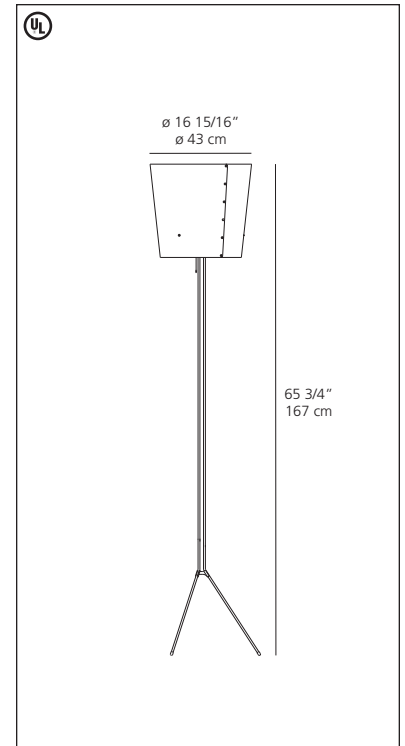
Artemide® Milo floor

Rodolfo Dordoni

Floor standing luminaire for indirect and diffused incandescent or fluorescent lighting.


- body frame in chromed steel with molded black thermoplastic details
- diffuser in white opaline PVC
- on/off pull cord switch
- newly redesigned to incorporate compact fluorescent option utilizing GU24 base with integrated ballast and lamp holder

eco♥design



Milo floor

incandescent source

- 1 x 150W (E26/A21).....

or

fluorescent source

- 1 x 18W (GX24q-2/T4).....