

Float C suspension

James Irvine

Cable suspended luminaire for direct and indirect diffused fluorescent lighting.

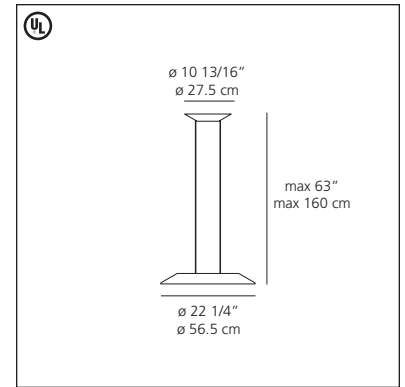
- body in extruded and die-cast aluminum with white lacquered finish
- upper, indirect light emission diffuser in clear polycarbonate with optional blue or topaz colored filters
- lower, direct light emission diffuser in opaline polycarbonate
- suspension canopy in white molded thermoplastic and steel incorporating fluorescent ballast and holding four body supporting Teflon coated cables
- equipped with thermally protect, class P, high power factor 120V electronic fluorescent ballasts (277V optional)
- mounts directly to rigid ceiling surface (hardware by others) over standard electrical junction boxes

Awards

Float circolare

Compasso d'Oro / A.D.I. - Segnalazione
2001 - Milano (Italia)

eco♥design



Float C suspension

fluorescent source

- 1 x 55W (2GX13/T5 HO circline).....