

Artemide® Echos floor

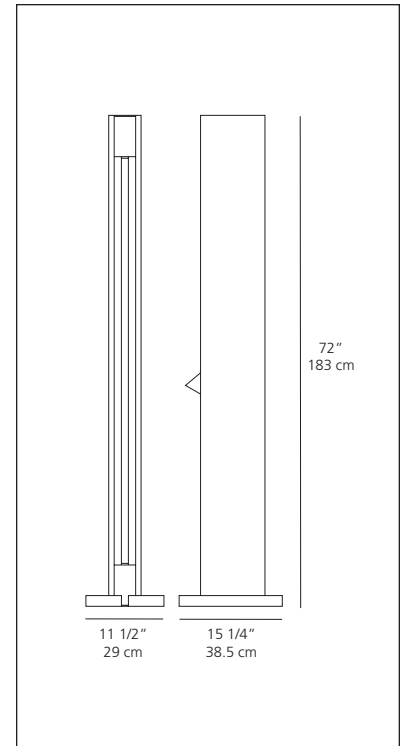
Jan Van Lierde

Floor standing luminaire incorporating three independently activated light sources for:

- indirect ambient halogen lighting
 - indirect diffused wall washing fluorescent lighting
 - direct concentrated reading low voltage halogen lighting
- body in extruded aluminum with metallic grey lacquered finish
 - concealed top halogen reflector in anodized aluminum with bulb protective glass shatter guard
 - fully adjustable reading light head in die-cast aluminum
 - wall washing light diffuser in ribbed transparent plexiglass
 - floor base in heavy stamped steel with black textured lacquered finish
 - on/off and dimmer switches incorporated in body

Awards

Design Innovationen Design Zentrum
Nordrhein Westfalen
Reddot Design Award
1999 - Essen (Deutschland)



Echos floor

- halogen source - indirect with dimmer**
- 1 x 300W (R7S/T3) supplied.....
- +
- halogen source - reading direct with dimmer**
- 1 x 35W/12V (GU4/MR11 lensed) supplied.....
- +
- fluorescent source - wall washing indirect with on/off**
- 1 x 40W (G13/T8) supplied.....



