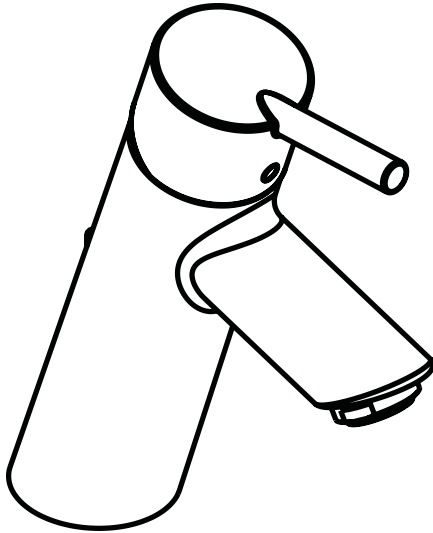


**ECO
RIGHT**



Product Features

- Solid brass
- Single-hole mount
- Single handle with M2 ceramic cartridge
- 1.5 gpm
- Includes pop-up drain

Code Compliance

This unit meets or exceeds the following:

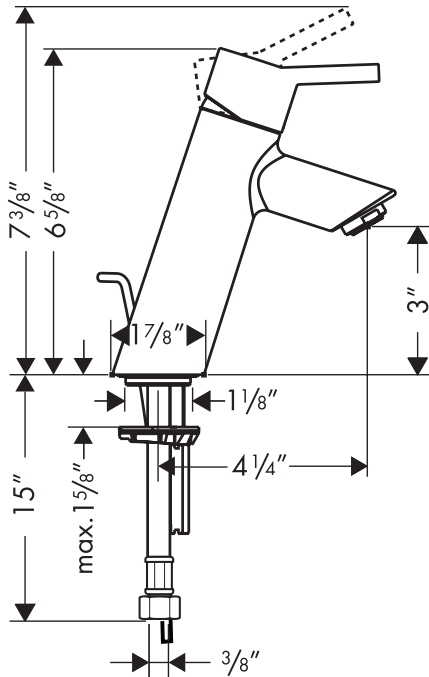
- ASME A112.18.1
- CSA B125.1
- Listed by IAPMO
- WaterSense certified
- Approved for use in Massachusetts

Available Finishes

Chrome	32040001
Brushed Nickel	32040821

Optional Accessories

6" baseplate	06490XX0
--------------	----------



The measurements shown are for reference only.

Products and specifications shown are subject to change without notice.

Specification sheet revised 5/2009