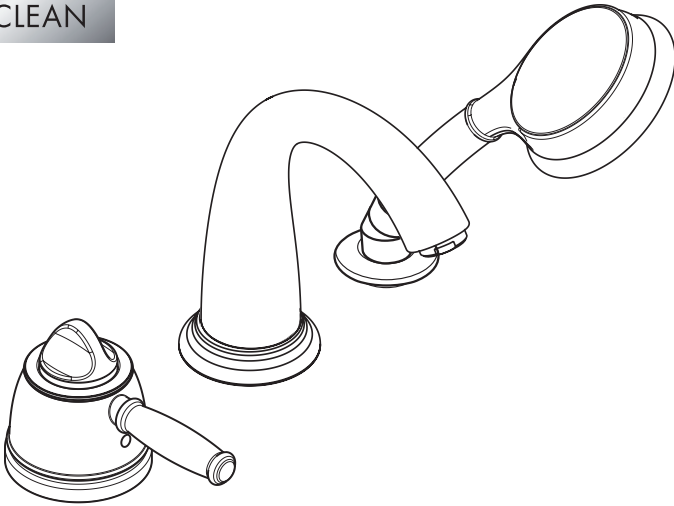


# Swing C Trim, 3-Hole Thermostatic Tub Filler

04134XX0

QUICLEAN



## Product Features

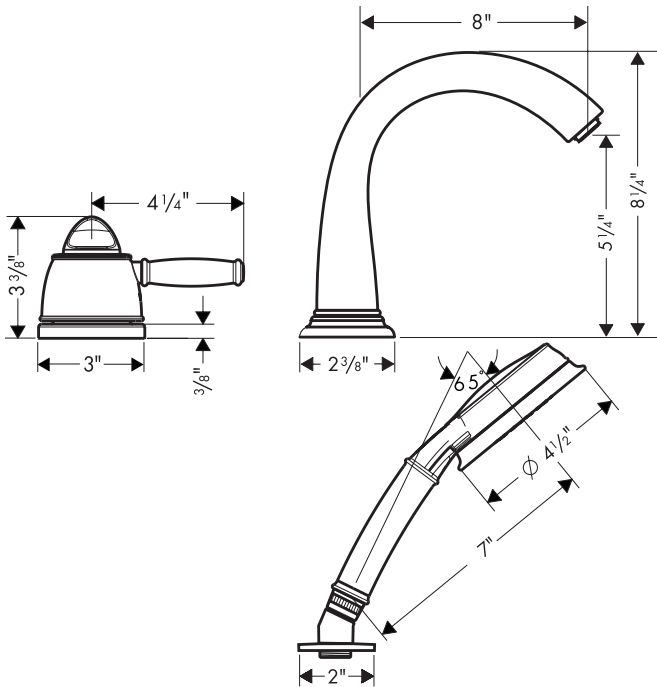
- Lever handle
- Tub spout
- Thermostatic temperature control, 2-way diverter, and volume control in one unit
- Max. flow rate 8 gpm @ 44 psi
- Handshower with 3 spray modes, 2.5 gpm max.
- Protection against backflow provided by check valve

## Available Finishes

Chrome	04134000
Oil rub bronze	04134620
Brushed nickel	04134820
Rubbed bronze	04134920

## Required Accessories

Rough valve	04124181
-------------	----------



The measurements shown are for reference only.

Products and specifications shown are subject to change without notice.

Specification sheet revised 1/2009

**hansgrohe**