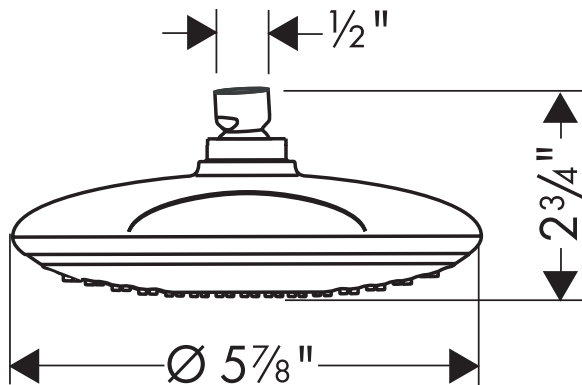
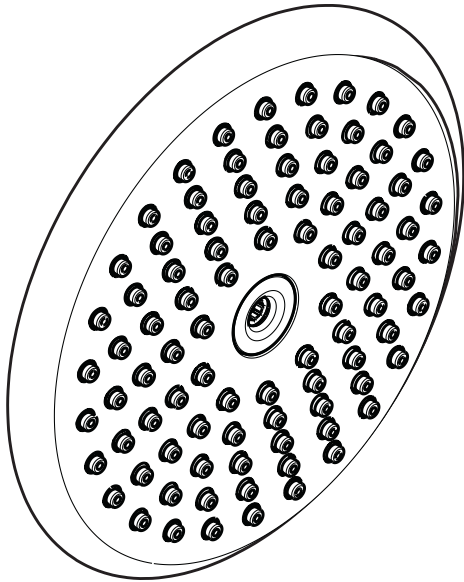


AIR
POWER

QUICLEAN



Product Features

- Oversized spray face
- AIR injection technology
- Refreshing full spray
- 96 no-clog spray channels
- Quiclean™ self cleaning system
- 2.5 gpm max.

Code Compliance

This unit meets or exceeds the following:

- ASME A112.18.1
- CSA B125.1
- Listed by IAPMO
- Approved for use in Massachusetts

Available Finishes

Chrome	27466001
Brushed Nickel	27466821
Polished Nickel	27466831
Polished Brass	27466931

The measurements shown are for reference only.

Products and specifications shown are subject to change without notice.

Specification sheet revised 8/2009