

Product Features

- Includes handle, handle adapter, escutcheon, screws, seal

Code Compliance

This unit meets or exceeds the following:

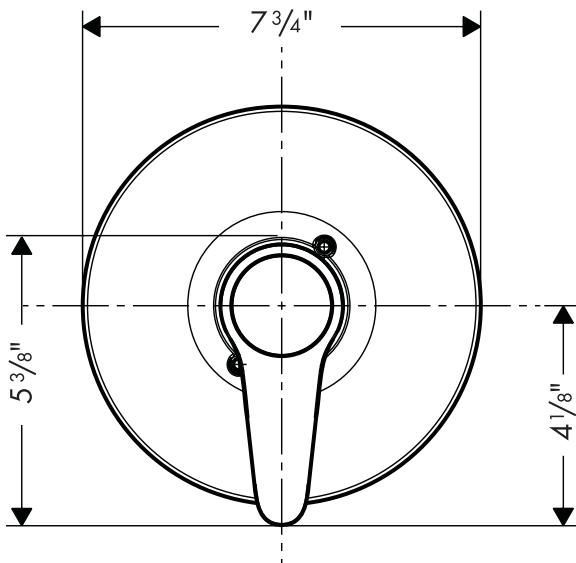
- ADA compliant
- ASME A112.18.1
- CSA B125.1
- ASSE 1016
- Listed by IAPMO
- Approved for use in Massachusetts

Available Finishes

Chrome	04166000
Brushed Nickel	04166820

Required Accessories

Rough, Pressure Balance Valve	06348000
or	
Rough, Pressure Balance Valve with Stops	06349000
or	
Delta 1300 Pressure Balance Valve	



The measurements shown are for reference only.

Products and specifications shown are subject to change without notice.

Specification sheet revised 1/2009