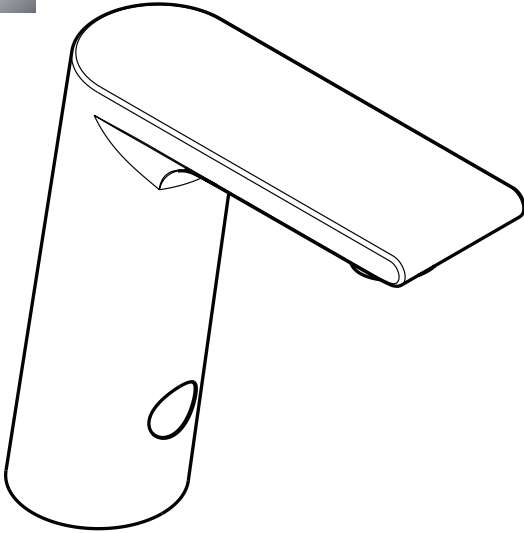


**ECO  
RIGHT**



## Product Features

- Infrared sensor technology
- 110 V
- Built-in stop for cleaning
- Preset temperature
- Flexible supply hoses with 3/8" adapters
- Automatic shutoff after 35 seconds
- 1.5 gpm max.

## Code Compliance

This unit meets or exceeds the following:

- ASME A112.18.1
- CSA B125.1
- Listed by IAPMO
- ADA compliant
- Approved for use in Massachusetts

## Available Finishes

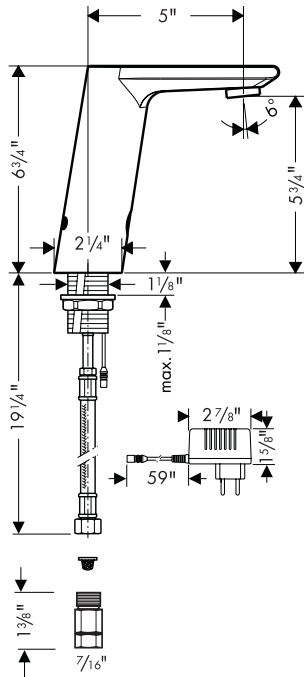
Chrome	31103001
Steel Optil	31103801

## Optional Accessories

Grid drain	06400XX0
Base plate	14018XX1

## Installation Notes

Requires 110 V outlet



The measurements shown are for reference only.

Products and specifications shown are subject to change without notice.

Specification sheet revised 5/2009