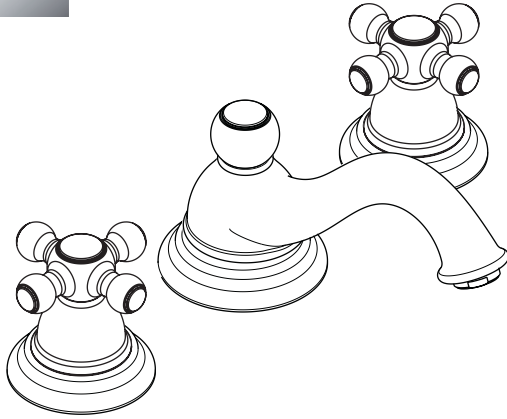


**ECO
RIGHT**



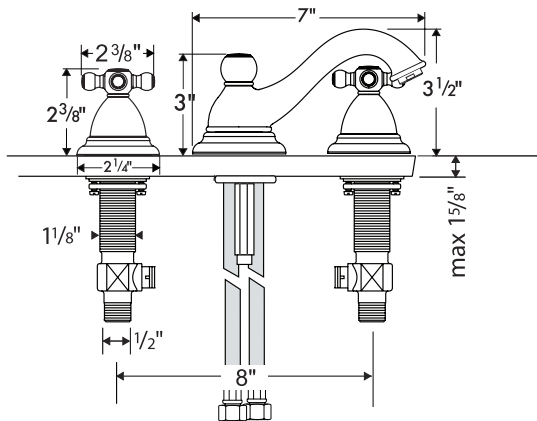
Product Features

- Cross handles
- Solid brass
- 90° Ceramic cartridges
- Flexible connection hoses accommodate a variety of installations
- Cascade no-clog aerator
- 1.5 gpm max.
- Includes pop-up drain

Code Compliance

This unit meets or exceeds the following:

- ASME A112.18.1
- CSA B125.1
- Listed by IAPMO
- WaterSense certified
- Approved for use in Massachusetts



Available Finishes

Chrome	06106000
Oil Rubbed Bronze	06106620
Brushed Nickel	06106820

Installation Notes

- Requires 1/2" supply lines

The measurements shown are for reference only.

Products and specifications shown are subject to change without notice.

Specification sheet revised 5/2009