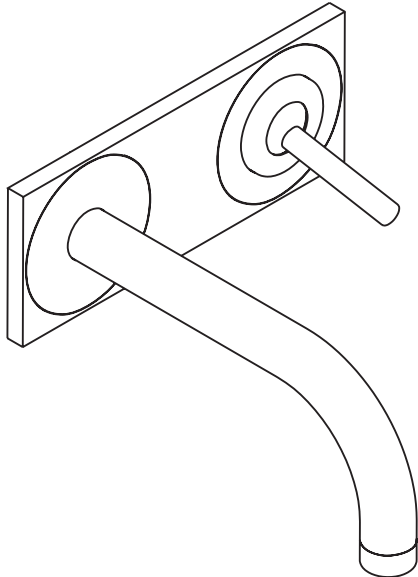


Axor Uno² Wall Mounted Single Handle Lav Set with Baseplate

38117XX1

ECO
RIGHT



Product Features

- Ceramic cartridge
- 1.5 gpm

Code Compliance

This unit meets or exceeds the following:

- ASME A112.18.1
- CSA B125.1
- Listed by IAPMO
- WaterSense certified
- ADA compliant
- Approved for use in Massachusetts

Available Finishes

Chrome

38117001

Brushed Nickel

38117821

Required Accessories

Rough

38111181

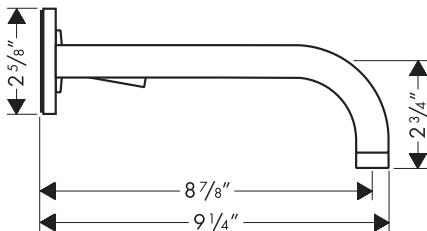
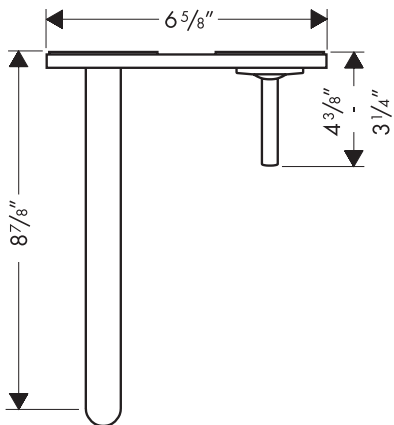
Optional Accessories

Grid drain

06400XX0

1 1/4" Extension set

38982000



The measurements shown are for reference only.

Products and specifications shown are subject to change without notice.

Specification sheet revised 5/2009