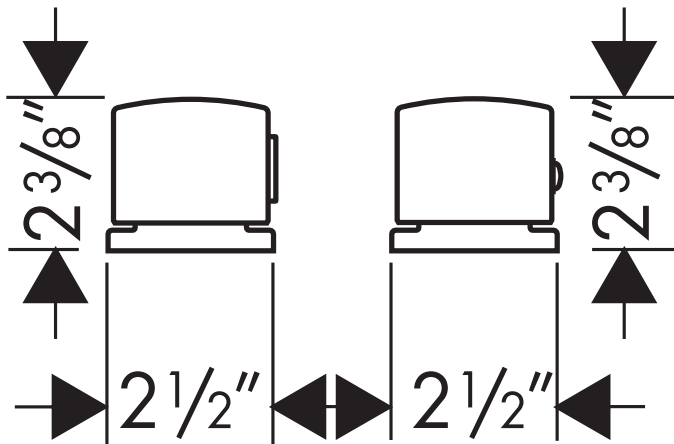
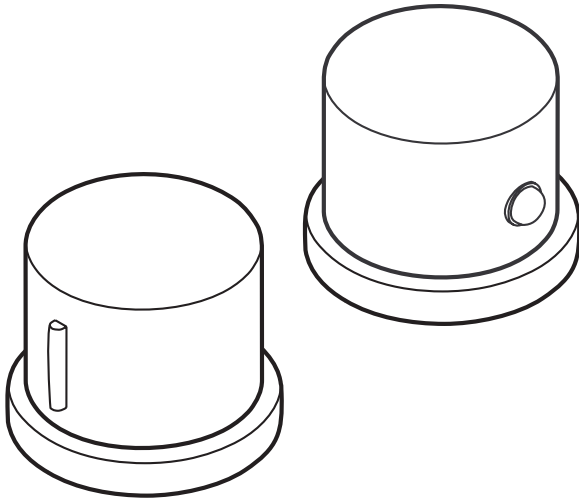


Axor Steel Trim, Thermostatic Deck Valve

35480801



Product Features

- Thermostatic temperature control
- 100° Safety stop
- High temperature limit stop may be reset to comply with local codes
- Diverter controls two functions – can be run individually or simultaneously

Code Compliance

This unit meets or exceeds the following:

- ASME A112.18.1
- CSA B125.1
- Listed by IAPMO
- Approved for use in Massachusetts

Available Finishes

Steel 38480001

Required Accessories

Rough 13550181

Optional Accessories

Steel tub spout 35416801
Rough for tub spout 96125001
Secuflex™ hose set 28380801
Handshower – many styles available

The measurements shown are for reference only.

Products and specifications shown are subject to change without notice.

Specification sheet revised 2/2008