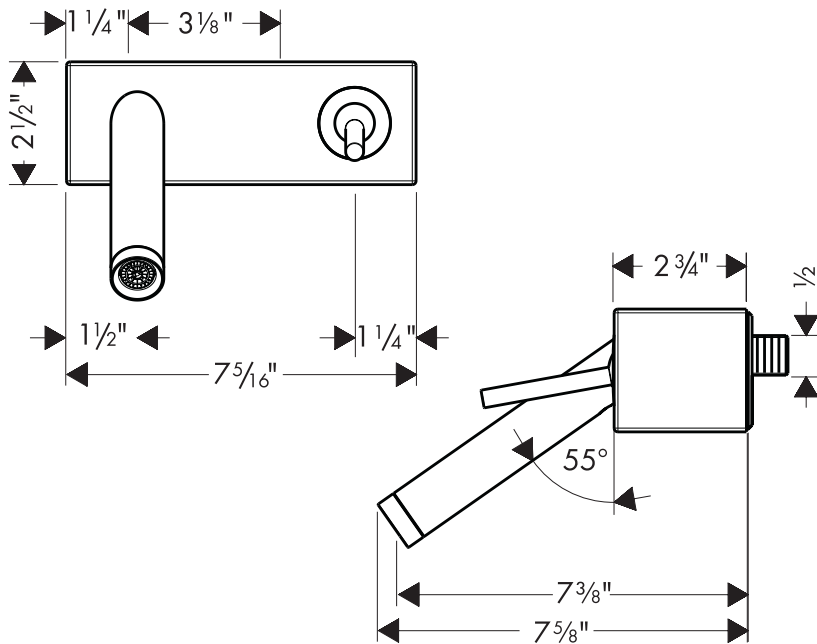
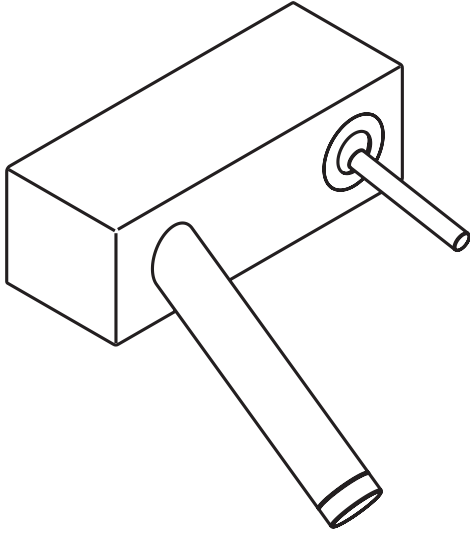


Axor Starck X Wall-Mounted Lav Set

10074001

ECO
RIGHT



Product Features

- Single lever operation
- Ceramic cartridge
- 1/2" male inlets
- 1.5 gpm

Code Compliance

This unit meets or exceeds the following:

- ASME A112.18.1
- CSA B125.1
- Listed by IAPMO
- WaterSense certified
- ADA compliant

Available Finishes

Chrome

10074001

Optional Accessories

Grid drain

06400000

The measurements shown are for reference only.

Products and specifications shown are subject to change without notice.

Specification sheet revised 5/2009

AXOR[®]
hansgrohe