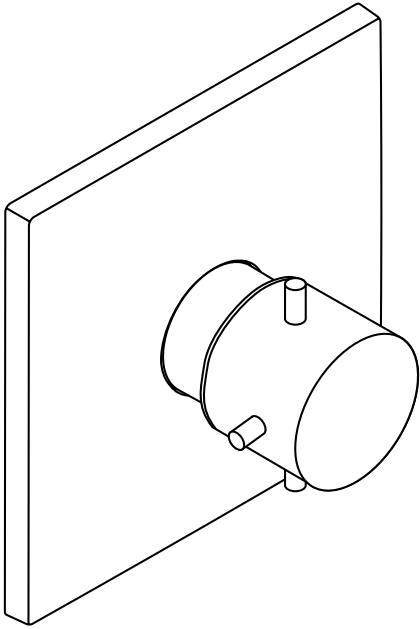


Axor Starck X Trim, Thermostatic Mixing Valve

10717001



Product Features

- Handle with raised finger grips
- 100° safety stop
- High temperature limit stop can be reset to comply with local plumbing codes
- 16 gpm @ 44 psi
- Includes thermostatic function block
- Must be used with volume control

Code Compliance

This unit meets or exceeds the following:

- ASME A112.18.1 / CSA B125.1
- ASSE 1016
- Listed by IAPMO
- Approved for use in Massachusetts

Available Finishes

Chrome

10717001

Required Accessories

iBox Plus rough

01850181

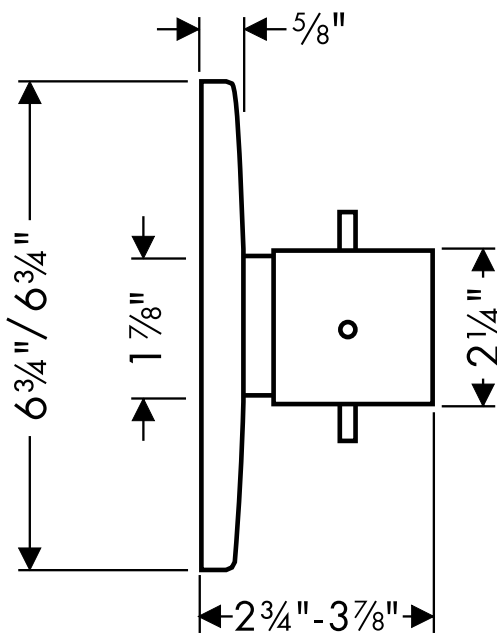
Optional Accessories

1" Extension (deep rough-in) kit

13595000

7/8" Extension (shallow rough-in) kit

97407XX0



The measurements shown are for reference only.

Products and specifications shown are subject to change without notice.

Specification sheet revised 08/2010