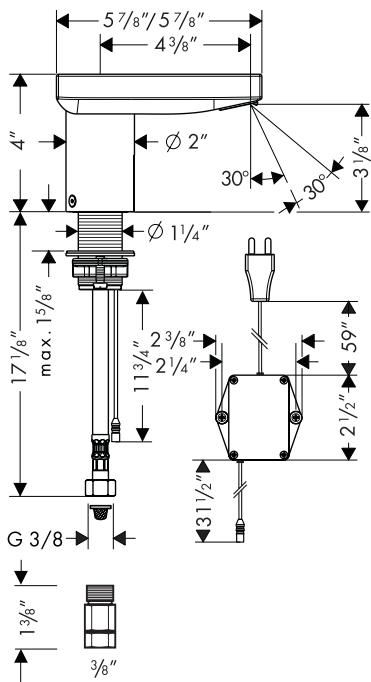
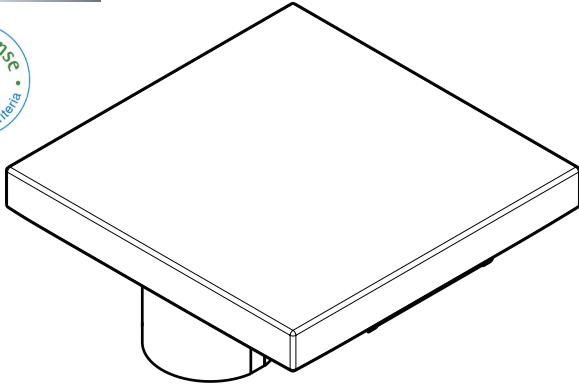


**ECO  
RIGHT**



## Product Features

- Attractive waterfall spray
- Infrared sensor technology
- Built-in stop for cleaning
- Pre-set temperature
- 110 V
- 1.5 gpm
- Automatic shutoff after 1 minute
- Flexible supply hoses with 3/8" adapters

## Code Compliance

This unit meets or exceeds the following:

- ASME A112.18.1
- CSA B125.1
- Listed by IAPMO
- WaterSense certified
- ADA compliant

## Available Finishes

Chrome

10185001

## Optional Accessories

Grid drain

06400000

## Installation Notes

- Requires 110V electrical outlet
- Not for use with continuous flow water heater
- Do not use on sink with raised lip

The measurements shown are for reference only.

Products and specifications shown are subject to change without notice.

Specification sheet revised 5/2009