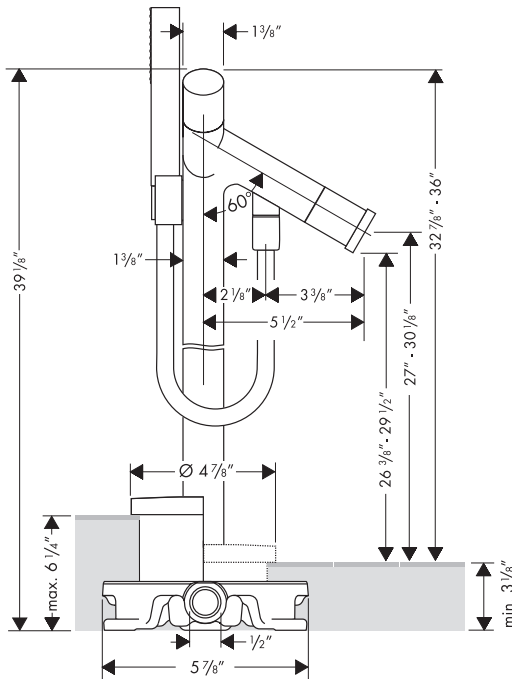
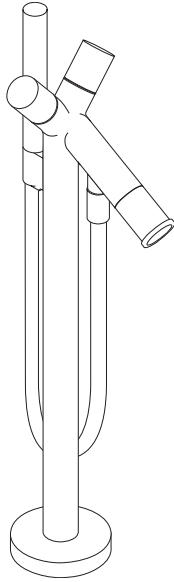


Axor Starck 2-Handle Tub Filler, Freestanding

10458XX1



Product Features

- Mounts on floor beside tub
- 90° Ceramic cartridges
- Max. flow rate @ 44 psi 5.8 gpm
- Diverter for handshower in spout tip
- Axor Starck handshower with full spray, 2.5 gpm
- 49" Techniflex handshower hose
- Protection against back siphonage provided by check valve in handshower outlet

Code Compliance

This unit meets or exceeds the following:

ASME A112.18.1

CSA B125.1

Listed by IAPMO

Approved for use in Massachusetts

Available Finishes

Chrome

10458001

Brushed Nickel

10458821

Required Accessories

Rough valve

10452181

Optional Accessories

In-line pressure balance valve

13414181

Spout extension, 60 mm

10981XX0

Extension kit (deep rough-in)

97686XX0

The measurements shown are for reference only.

Products and specifications shown are subject to change without notice.

Specification sheet revised 2/2008