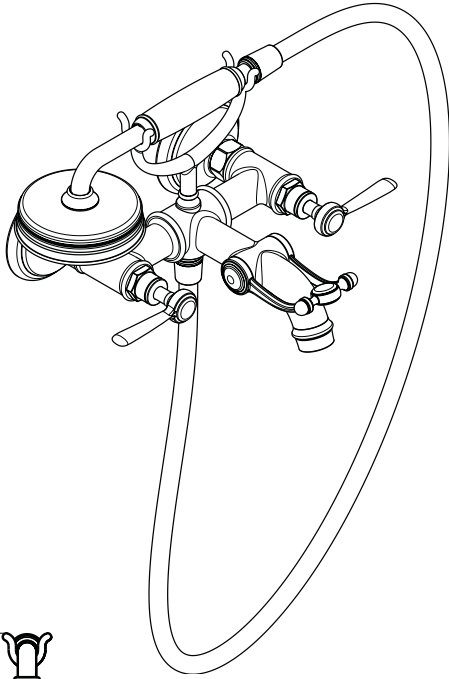


# Axor Montreux Tub Filler, Wall Mounted

16551XX1



## Product Features

- Traditional styling
- Solid brass
- Cross handles with ceramic cartridges
- Tub spout with diverter, 5.8 gpm @ 44 psi
- Includes Axor Montreux handshower with AIR injection, 2.5 gpm

## Available Finishes

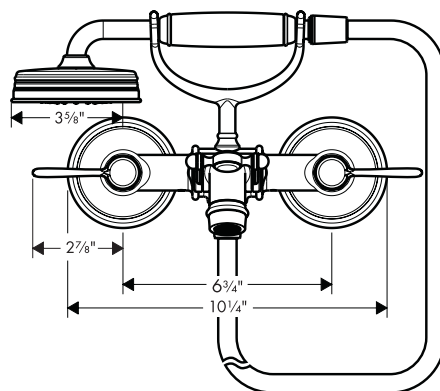
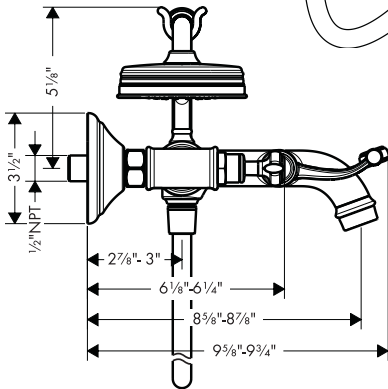
Chrome	16551001
Brushed Nickel	16551821
Polished Nickel	16551831

## Optional Accessories

Remote pressure balance valve if required by local code	13418181
--	----------

## Installation Notes

- Requires 1/2" NPT female fittings for the hot and cold supplies



The measurements shown are for reference only.

Products and specifications shown are subject to change without notice.

Specification sheet revised 7/2009