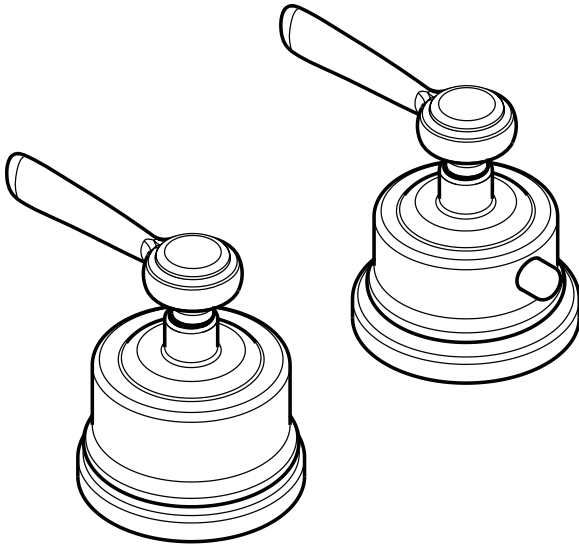


Axor Montreux Trim, Thermostatic Deck Valve

16482XX1



Product Features

- Thermostatic temperature control
- 100° Safety stop
- High temperature limit stop may be reset to comply with local codes
- Diverter controls two functions – can be run individually or simultaneously

Available Finishes

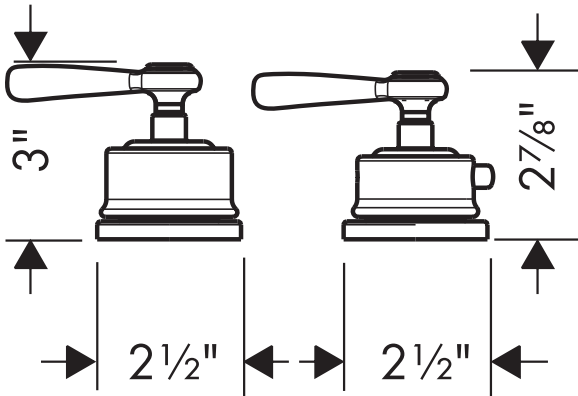
Chrome	16482001
Brushed Nickel	16482821
Polished Nickel	16482831

Required Accessories

Rough	13550181
-------	----------

Optional Accessories

Tub spout	16425XX0
Rough for tub spout	96125001
Secuflex™ hose set	28380XX1
Handshower – many styles available	



The measurements shown are for reference only.

Products and specifications shown are subject to change without notice.

Specification sheet revised 5/2009