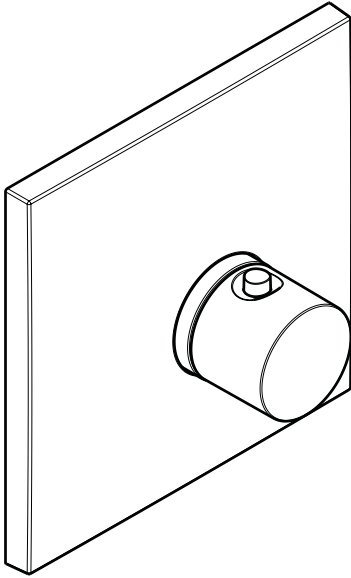


Axor Massaud Trim, EcoMax Thermostatic Mixer

18747001



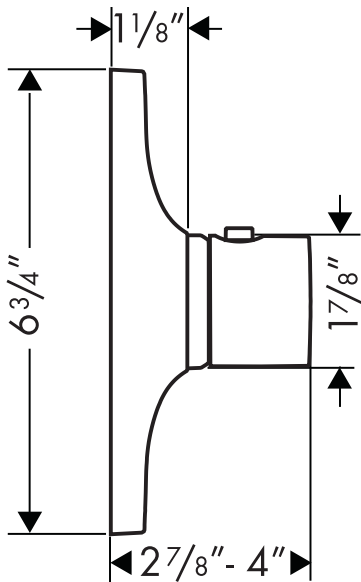
Product Features

- Thermostatic cartridge with service stops
- 100° Safety stop
- High temperature limit stop may be reset to comply with local plumbing codes
- Max. flow rate 20 gpm @ 44 psi

Code Compliance

This unit meets or exceeds the following:

- ASME A112.18.1
- CSA B125.1
- ASSE 1016
- Listed by IAPMO



Available Finishes

Chrome

18747001

Required Accessories

3/4" rough

15374181

or

1/2" rough

15373181

Optional Accessories

1 1/2" Extension (deep rough-in) kit

92615000

The measurements shown are for reference only.

Products and specifications shown are subject to change without notice.

Specification sheet revised 1/2009