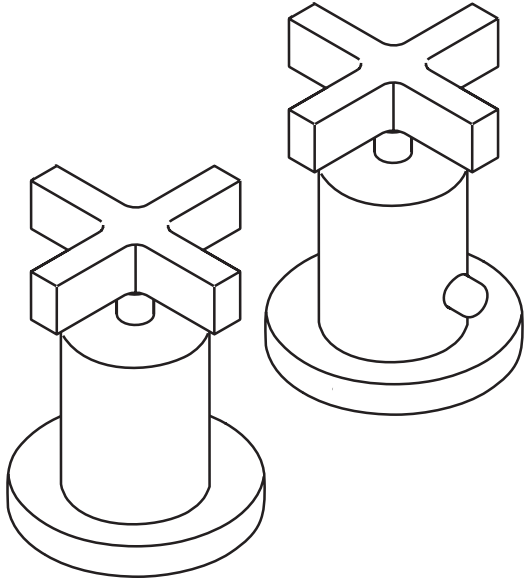


Axor Citterio Trim, Thermostatic Deck Valve

39480XX1



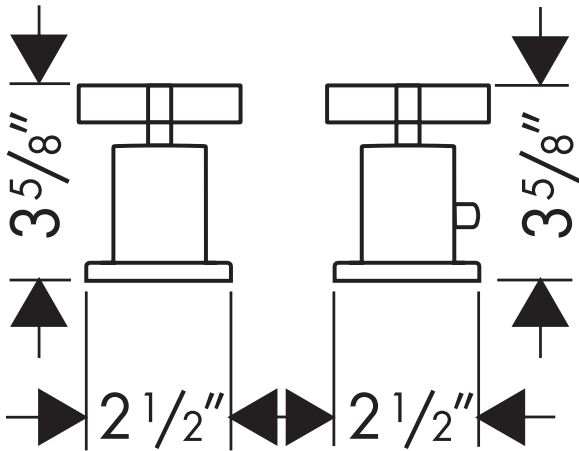
Product Features

- Cross handles
- Thermostatic temperature control
- 100° Safety stop
- High temperature limit stop may be reset to comply with local codes
- Diverter controls two functions – can be run individually or simultaneously

Code Compliance

This unit meets or exceeds the following:

- ASME A112.18.1
- CSA B125.1
- Listed by IAPMO
- Approved for use in Massachusetts



Available Finishes

Chrome	39480001
Brushed Nickel	39480821

Required Accessories

Rough	13550181
-------	----------

Optional Accessories

Tub spout	39415XX0
Rough for tub spout	96125001
Secuflex™ hose set	28380XX1
Handshower – many styles available	

The measurements shown are for reference only.

Products and specifications shown are subject to change without notice.

Specification sheet revised 5/2008