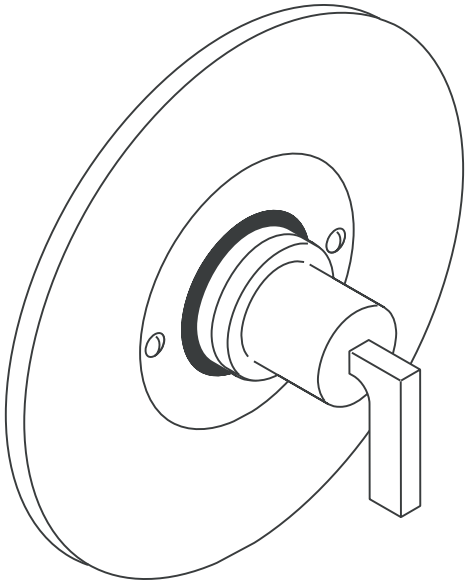


Axor Citterio Trim, Equilibrium Pressure Balance Valve

39418XX1



Product Features

- Lever handle

Code Compliance

This unit meets or exceeds the following:

- ADA compliant
- ASME A112.18.1
- CSA B125.1
- Listed by IAPMO
- Approved for use in Massachusetts

Available Finishes

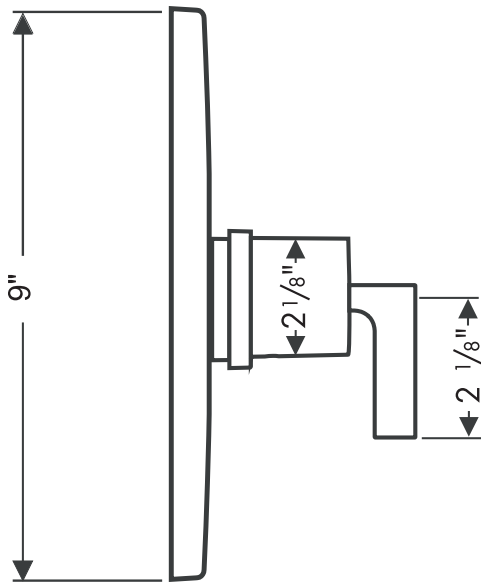
Chrome	39418001
Brushed Nickel	39418821

Required Accessories

Rough	13408181
-------	----------

Optional Accessories

1 1/2" extension kit	13998XX0
----------------------	----------



The measurements shown are for reference only.

Products and specifications shown are subject to change without notice.

Specification sheet revised 1/2009