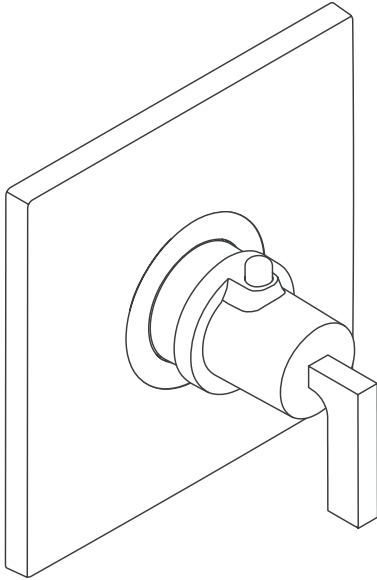


Axor Citterio Trim EcoMax Thermostatic Mixer

39386XX1



Product Features

- Lever handle
- Thermostatic cartridge with service stops
- 100° Safety stop
- High temperature limit stop may be reset to comply with local plumbing codes
- Max. flow rate 20 gpm @ 44 psi

Code Compliance

This unit meets or exceeds the following:

- ASME A112.18.1
- CSA B125.1
- ASSE 1016
- Listed by IAPMO
- Approved for use in Massachusetts

Available Finishes

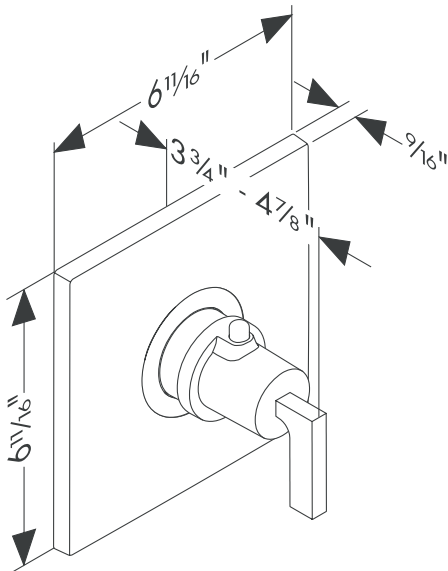
Chrome	39386001
Brushed Nickel	39386821

Required Accessories

3/4" rough	15374181
or	
1/2" rough	15373181

Optional Accessories

1 1/2" Extension (deep rough-in) kit	92615000
--------------------------------------	----------



The measurements shown are for reference only.

Products and specifications shown are subject to change without notice.

Specification sheet revised 8/2009