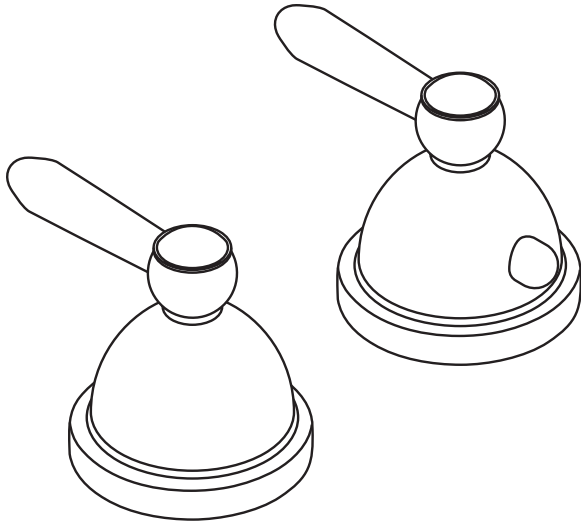


Axor Carlton Trim, Thermostatic Deck Valve

17482XX1



Product Features

- Lever handles
- Thermostatic temperature control
- 100° Safety stop
- High temperature limit stop may be reset to comply with local codes
- Diverter controls two functions – can be run individually or simultaneously

Code Compliance

This unit meets or exceeds the following:

- ASME A112.18.1
- CSA B125.1
- Listed by IAPMO
- Approved for use in Massachusetts

Available Finishes

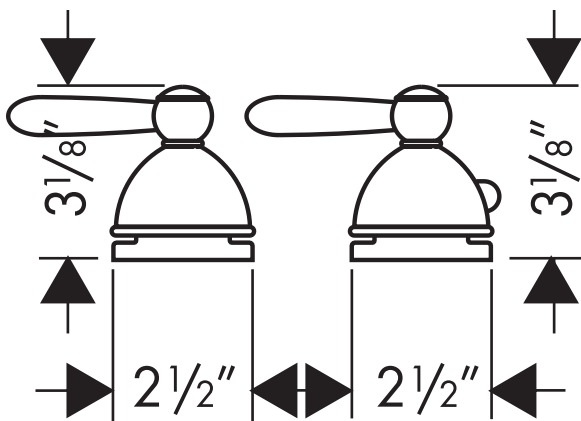
Chrome	17482001
Oil Rubbed Bronze	17482621
Brushed Nickel	17482821
Polished Nickel	17482831

Required Accessories

Rough	13550181
-------	----------

Optional Accessories

Deck mounted tub spout	15425XX0
Rough for tub spout	96125001
Secuflex hose set for handshower	28380XX1
Axor Carlton handshower	17850XX1



The measurements shown are for reference only.

Products and specifications shown are subject to change without notice.

Specification sheet revised 2/2008