

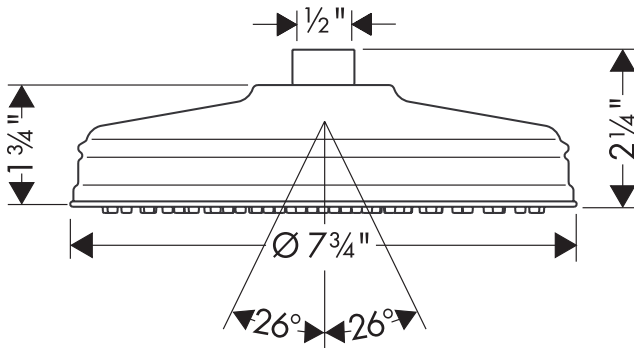
## Product Features

- Oversized spray face
- Solid brass
- Quick Clean™ cleaning system
- 1/2" female inlet
- 107 no-clog spray channels
- 2.5 gpm

## Code Compliance

This unit meets or exceeds the following:

- ASME A112.18.1
- CSA B125.1
- Listed by IAPMO
- Approved for use in Massachusetts



## Available Finishes

Chrome	28487001
Oil Rubbed Bronze	28487621
Brushed Nickel	28487821
Polished Nickel	28487831

## Optional Accessories

Raindance showerarm, 15"	27413XX1
Raindance showerarm, 9"	27422XX1
Extension pipe for ceiling mount	27479XX1

The measurements shown are for reference only.

Products and specifications shown are subject to change without notice.

Specification sheet revised 2/2008