

Product Features

- Lever handle
- Integrated shutoff and volume control for handshower
- Fits all 1/2" handshower hoses
- 1/2" NPT female inlet
- Protection against backflow provided by double check valve

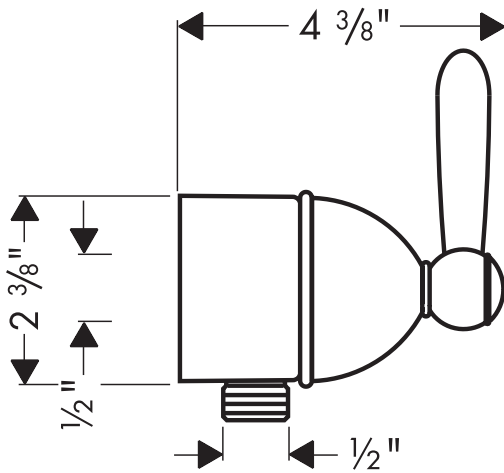
Code Compliance

This unit meets or exceeds the following:

- ASME A112.18.1
- CSA B125.1
- Listed by IAPMO
- ADA compliant

Available Finishes

Chrome	17882001
Oil Rubbed Bronze	17882621
Brushed Nickel	17882821
Polished Nickel	17882831



The measurements shown are for reference only.

Products and specifications shown are subject to change without notice.

Specification sheet revised 5/2009