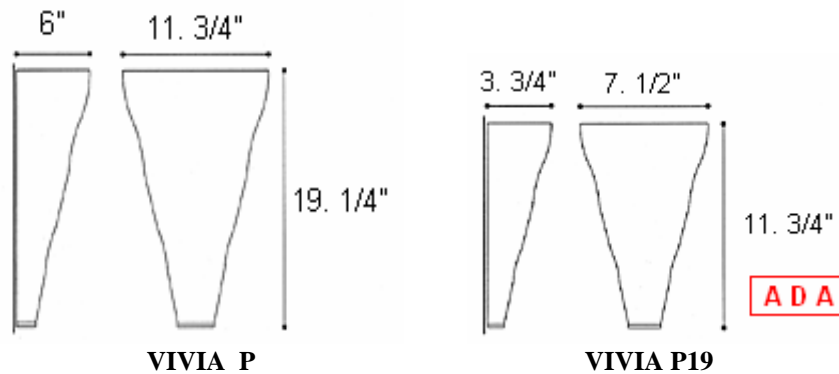


VIVIA P - P19

DESIGN R. TOSO, N. MASSARI & ASSOCIATES



- DESCRIPTION:** A unique hand blown glass shade characterizes this wall sconce, available in 2 sizes. Incandescent or fluorescent light sources provide upward and diffused illumination. Vivia P19 is ADA compliant. Companion pendant and table designs available.
- CONSTRUCTION:** A white metal backplate supports the hand blown glass diffuser which is secured by polished chrome or polished gold details. Both versions mount to a standard 4" octagonal junction box.
- LIGHT SOURCE:** Vivia P: 1 x 100 watt, incandescent, A-19, medium base (provided)
2 x 13 watt, fluorescent, Quad, recessed contact (not provided)
- Vivia P19: 1 x 60 watt, incandescent, G16 1/2, candelabra base (provided)
1 x 9 watt, fluorescent, recessed contact (not provided)
- FINISH:** Polished Chrome or Polished Gold
- GLASS COLOR:** Vivia P: Satin White, Satin Amber, Amber Spotted, White Striped
- Vivia P19: Satin White, Satin Amber, Gloss White, Gloss Amber, Amber Spotted, White Striped, Gloss Orange
- NET WEIGHT:** Vivia P: 12 lbs. / Vivia P19: 5 lbs.

Leucos USA, Inc.
11 Mayfield Avenue
Edison, NJ 08837
Tel: 732-225-0010
Fax: 732-225-0250
www.leucos.com