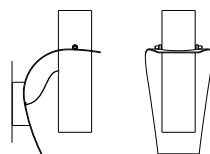


# L E U C O S<sup>®</sup>

INSTALLATION INSTRUCTIONS - LEUCOS USA

## FLEXA P



A1 Enclosed



Two installers



Save instructions

Revised  
04 - MAR. - 2008

**WARNING: DISCONNECT POWER BEFORE INSTALLATIONS.**

**INSTALL IN ACCORDANCE WITH THE NATIONAL AND LOCAL ELECTRICAL CODES. - FOLLOW DIRECTIONS CAREFULLY IN ORDER TO AVOID SCRATCHING OR DAMAGING THE GLASS DIFFUSER.**

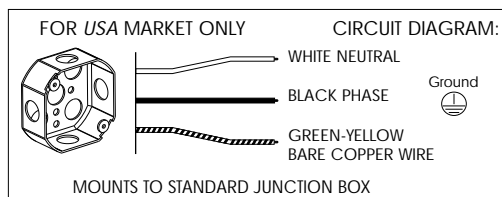


- 1-**Fig.1** Install back plate "A" to the J-Box by the slots "B" provided;
- 2-**Fig. 2-3** Hold up structure "C" and introduce the glass tube/structure, from the top, into hole "N". Take care to lean correctly the two side pivots "G" in the two side loopholes provided on hole "N" as shown in the enlargement;
- 3-**Fig.3-4** Guide the electric wire through hole "O" of structure "C" and connect it to the terminal connector "X" on the back housing. Take care to lock them inside the bridge plastic bushing "Y". **NOTE:** leave a little bit large cord in order to make it shapable as shown.
- 4-**Fig.4-1** Cover the wires with the protection fiber glass tubes provided then connect to the terminal connector "X". Respect the correct polarity and grounding.
- 5-**Fig 4-5** Hook the structure on top of the back plate "A" (1), then rotate it against the wall (2) and lock it fast to plate "A" by tightening the bottom screw "K" (3).
- 6- Insert bulbs and restore power.
 

**IMPORTANT:** For the correct adjusting of glasses please see the following points:

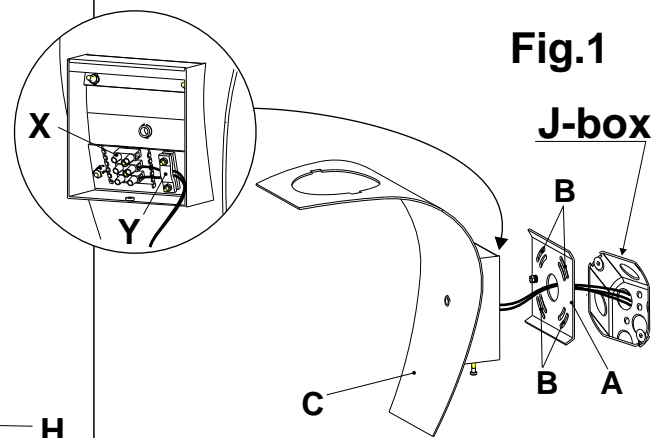
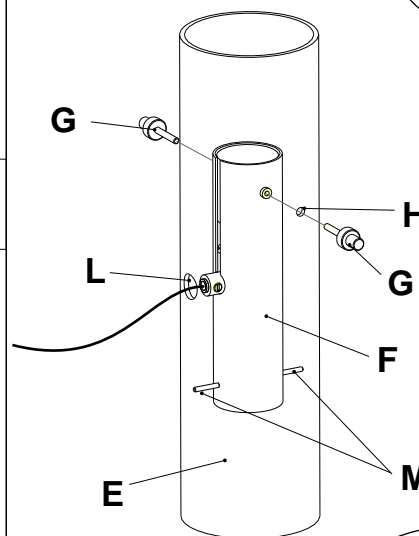
  - a)- Make sure that the two side pivots "G" are correctly tight to the glass tube;
  - b)- Please try to find a full contact with the inside part of glass tubes by unscrewing the two side rods "M" (Fig.2)
  - c)- In order to avoid pulling or pushing of the glass tubes please shape softly the cord and give it an agreeable form as shown.

**FLEXA P - 2X50W Medium Base E26 - TYPE PAR20**



For additional information please contact your local dealer or **LEUCOS U.S.A.** at: Tel. (732) 225-0010 Fax. (732) 225-0250

**Fig.2**

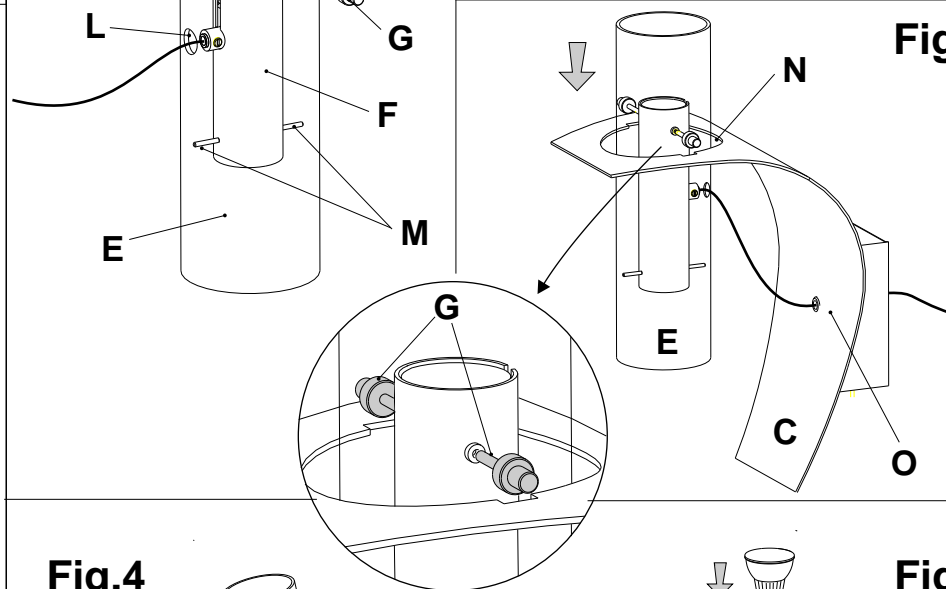


**Fig.1**

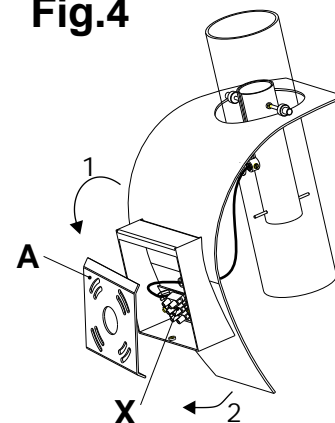
**J-box**

**B**  
**B**  
**A**

**Fig.3**



**Fig.4**



**Fig.5**

