

Picara Series

Picara OS

Classy, Striking, and functional.

Identify any office or room you would like with the class and style of the Picara OS. This striking illuminated sign can be mounted in virtually any location.

The name that you specify is laser cut into a curved piece of acrylic which is then edge lit providing an even soft ambient light. The text is then exposed and illuminated to subtly yet efficiently identify the area.

If you're looking for use of these fixtures inside the home, show off the unique design by having us laser cut an illustration!

Specifications:

Construction: Aluminum with Acrylic Lens
Mounting: Wall Mount, On-Board or Remote Ballast
Power Input: 120 V AC 50/60 HZ
Max Current: .55 AMPS
Lamps: (2) T2 8W Lamps
Finish: Powder coated; Black, Silver, White
Length: 13 3/8 in.
Weight: 2.5 lbs



Product Number
M2052

Picara Series
Picara OS



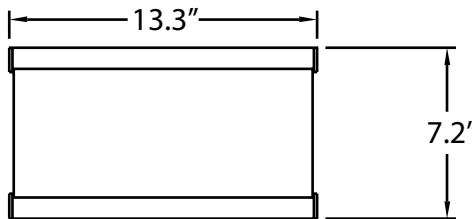
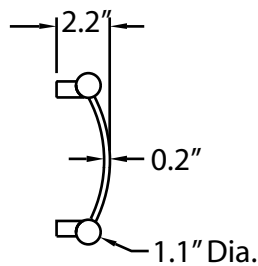
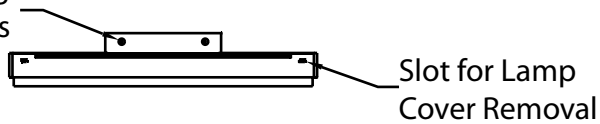
APPLICATION

Identify any office or room you would like with the class and style of the Picara OS. This striking illuminated sign can be mounted in virtually any location.

PRODUCT SPECIFICATION DATA:

Aluminum Construction with Acrylic Lens
Energy saving T2 Lamps
Powder coated finish
Wall Mount
Electronic Ballast 120
Tested to UL Standards #1598

(4) #6-32 x .125 Long
Mounting Screws



Sample Part Number

M2052 - 8WT2K65 - R - 120 - D - 2

Model Lamping Ballast Voltage Color Text

Your Part Number

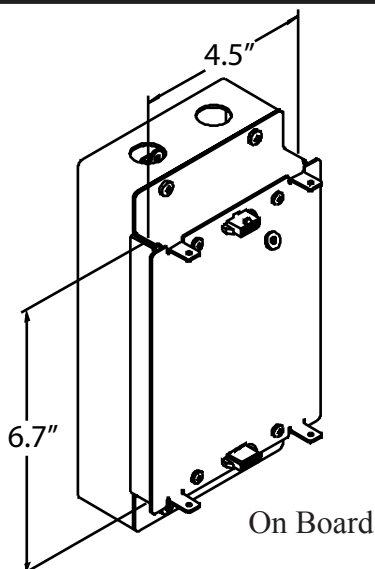
M2052-8WT2K65- _ - _ - _ - _

- Ballast**
- O - On Board
 - R - Remote

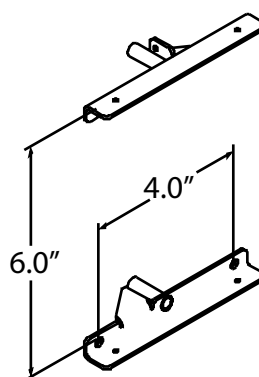
- Voltage**
- 120 Volt
 - 277 Volt

- Color**
- D - White
 - E - Silver
 - F - Black
 - X - Custom

- Text**
- 0 - Custom
 - 1 - Accounting
 - 2 - Cafeteria
 - 3 - Conference Room
 - 4 - Engineering
 - 5 - Human Resources
 - 6 - Information
 - 7 - Information Technology
 - 8 - Lobby
 - 9 - Manager
 - 10 - Meeting Room
 - 11 - Office
 - 12 - Procurement
 - 13 - Quality Assurance
 - 14 - Registration
 - 15 - Restroom (M&F)
 - 16 - Restroom (M Figure)
 - 17 - Restrooms - Arrow Left
 - 18 - Restrooms - Arrow Right
 - 19 - Restroom - Women (F Figure)
 - 20 - Waiting Room



On Board



Remote

Picara OS mounts directly to the wall. All wiring connections to be installed by certified electricians according to local codes.

High Power Factor Electronic ballast standard.

LABELS - All fixtures are tested to the appropriate UL Standards by Electrical Testing Laboratory. The labels are affixed to the fixture indicating the test number and standards used.

