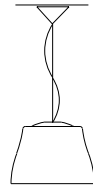


LEUCOS®

FOR LEUCOS USA - INSTALLATION INSTRUCTIONS

CIRCE S 19



A1 Enclosed



One installer



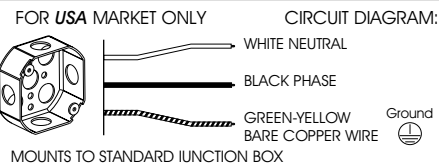
Save instructions

Revised
23 - Gen. - 2003

WARNING: - DISCONNECT POWER BEFORE INSTALLATION.- INSTALL IN ACCORDANCE WITH THE NATIONAL AND LOCAL ELECTRICAL CODES. - FOLLOW DIRECTLONS CAREFULLY TO AVOID SCRATCHING THE GLASS DIFFUSER.

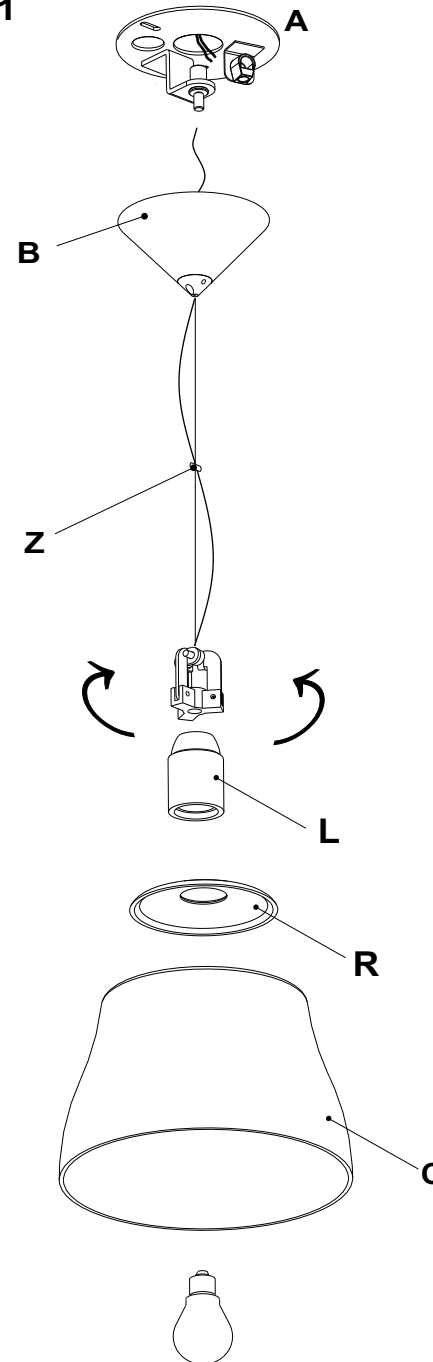
1. ILL. 1 Attach the metal canopy "A" to ceiling (junction box).
2. ILL. 1- 2 Guide the electrical wires through the rubber rings "Z" and in one of the 2 side holes "E" of the metal cone and the steel wire through the central hole of the canopy "B".
PLEASE NOTE: IN ORDER TO PASS THE ELECTRICAL WIRES THROUGH THE CANOPY, IT IS NECESSARY TO PUNCH A HOLE WITH A SCREWDRIVER INSIDE THE CANOPY "B".
3. ILL. 3 Slightly loosen the fitting "S". Pass the steel cable through the central hole of the fitting "S". This fitting is pressured fit. In order to secure the steel cable push the fitting toward the top. Having determined the correct height of the fixture, secure the steel cable by screwing the fitting "S". In order to properly secure the steel cable , we suggest passing the steel cable through the fitting "J". Clamp the cable in position with the fitting "J" screw.
4. ILL. 3 Connect the fixture's electrical wires to supply wire connectors of the proper size leaving excess wire for decorative "swag" below canopy "B" if desired.
NOTE: DURING WIRING TAKE CARE TO GUIDE THE LAMP WIRE THROUGH THE PLASTIC CLAMP "X" AND LOCK IT BY THE SIDE PLASTIC SCREW.
5. ILL. 2 Slide the canopy "B" up to rest against the ceiling and secure it in position with set screw "H".
PLEASE NOTE: USE THE ALLEN WRENCH PROVIDED INSIDE THE CANOPY,
6. Center fitting "Z" on the steel cable and fit the two electric wires into the appropriate slots.
7. Fold the three arms of the lamp holder "L" up and pass the glass cover "R" and the lass diffuser "C" through it. ILL. 1- 4- 5
8. Unfold the three arms and carefully lower and pass it through the glass diffuser "C" so that it rests encely on the arms. Carefully lower and position the glass cover "R" so that it rests on the glass diffuser "C".
9. The position of the glass diffuser "C" can be regulate d as necessary by rotating it on the arms "W". ILL. 4
10. Istall the light bulb 1x60 watt medium base recommended. Retore power.

CIRCE S 19 max 1x60W - 120V E 26 type A

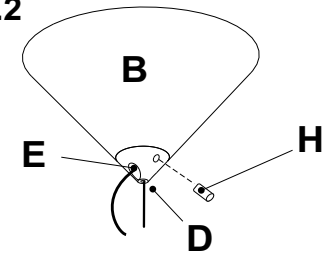


For additional information please contact your local dealer or LEUCOS USA at: tel. (732) 225-0010 fax (732) 225-0250

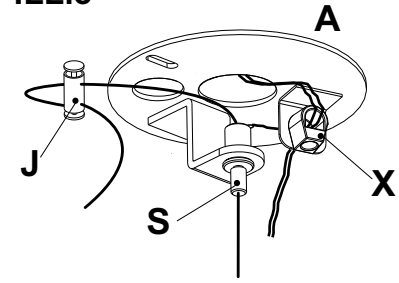
ILL.1



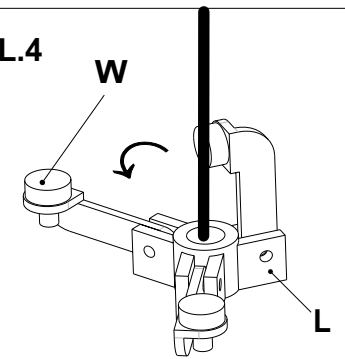
ILL.2



ILL.3



ILL.4



ILL.5

