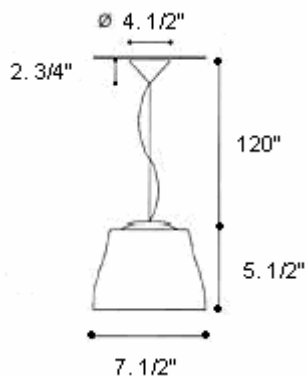


CIRCE S19

Design R. TOSO N. MASSARI & ASSOCIATES



DESCRIPTION: A small-scale pendant design highlighted by 6 unique hand-blown glass finishes. Incandescent light source provide downward and diffused illumination.

Companion wall, table, and floor designs are available.

CONSTRUCTION: A conical shaped canopy in brushed nickel with cord and cable suspends the diffuser which is capped with a poured clear glass detail. Mounts to a standard 4" octagonal junction box.

LIGHT SOURCE: 1 x 60 watt, incandescent, G16 medium base, (Provided)

GLASS COLOR: Gloss White, Satin White, Gloss Amber, Satin Amber, Gloss Orange, White Zebra Striped, White with Multi-color Murrine

NET WEIGHT: 5 lbs.

Leucos USA, Inc.
11 Mayfield Avenue
Edison, NJ 08837
Tel: 732-225-0010
Fax: 732-225-0250
www.leucos.com