

RG SOLID GLASS WALL.

Office

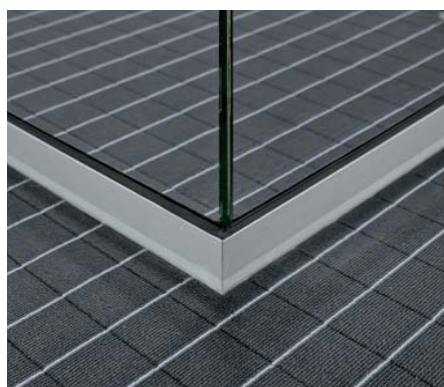
RG SOLID GLASS WALL.

The horizontal profiles of the frameless construction are recessed to allow space for more glass. The RG solid glass wall supports the architecture of the room with minimalist design details, such as anodised aluminium profiles.

The wall is essentially comprised of one horizontal profile on the ceiling and one on the floor; the glass is then held between them with black rubber gaskets. These gas-kets enable different thicknesses of glass to be accommodated easily, and help to minimise acoustic issues.

Irrespective of whether the door is hinged or sliding there are no frame constructions as the glass is self-supporting. Highly transparent glass and impeccable joint finishing ensures that the RG wall represents the middle ground between rigid architectural framework and flexible interior design.





- > Back to basics: A recessed construction allows a glass room with maximum transparency.
- > With a highly transparent joint finish, the glass connections continue up to the frameless hinged or sliding door to 330 (300) cm.
- > System reliability is a given by virtue of the various combinations from Bene's product portfolio – These include frameless connections and dry-wall elements.

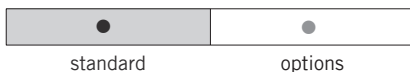
- > Profiles on the ceiling and the floor stabilise the glass due to black rubber gaskets. This enables a high degree of flexibility in relation to the thickness of glass, and minimises acoustic issues.
- > Perfection down to the smallest detail: Unique constructions for hinged doors and thin transom for sliding doors. With glass panels of up to 330 cm, the height of the profiles are only 25 or 65 mm. Having a glass thickness of 10, 12 or 16 mm guarantees a robust, frameless design with smart glass dry-joint details.

TECHNICAL DETAILS.

Floor / ceiling profile 65 mm / 65 mm
 Floor / ceiling profile 25 mm / 25 mm
 Floor / ceiling profile 65 mm / 25 mm
 Floor / ceiling profile 25 mm / 65 mm
 Element width (cm)
 max. room height (cm)
 Joint height, door element (cm)
 Door clearance, door element (dimension between axis)

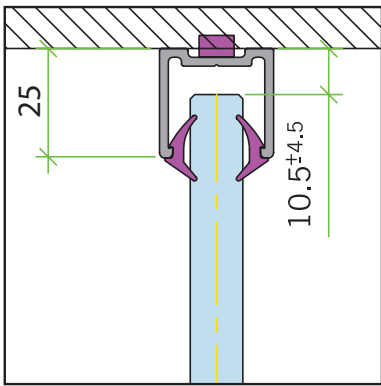
GLASS ELEMENT	10 mm TSG	32 db	32 db	32 db	32 db	20 – 140	290		
	12 mm TSG					20 – 140	330		
	12 mm LSG (2 x 6 mm float)	35 db	35 db	35 db	35 db	30 – 120	290		
	12 mm LSG (2 x 6 mm TSG)	35 db	35 db	35 db	35 db	30 – 120	330		
	12 mm LSG acoustic	36 db	36 db	36 db	36 db	30 – 120	330		
	16 mm TSG					20 – 100	330		
	16 mm LSG (2 x 8 mm float)	38 db	38 db	38 db	38 db	20 – 100	330		
	16 mm LSG Akustik (2 x 8 mm float)	ca. 39 db	ca. 39 db	ca. 39 db	ca. 39 db	20 – 100	330		
	Norms				ETAG 003				
	Tolerance floor (mm)	+/- 20	+/- 4	+/- 20	+/- 4				
Deflection ceiling (mm)	+/- 20	+/- 4.5	+/- 4.5	+/- 20					
SLIDING DOORS (10 mm)	Sliding door, RH or with fanlight (next to 10 mm TSG)					80 – 120	290	211 – 255	EW – 133
	Sliding door, RH (next to 12 mm TSG)					80 – 120	290		EW – 133
	Sliding door, with fanlight (next to 12 mm TSG)					80 – 120	330	211 – 280	EW – 133
	Double sliding door, RH or with fanlight (next to 10 mm TSG)					160, 200	290	211 – 255	EW – 260
	Double sliding door, RH (next to 12 mm TSG)					160, 200	290		EW – 260
	Double sliding door, with fanlight (next to 12 mm TSG)					160, 200	330	211 – 280	EW – 260
	Tolerance floor (mm)	+4.5 / -2.5	+4.5 / -2.5	+4.5 / -2.5	+4.5 / -2.5				
HINGE DOORS ¹⁾	Deflection ceiling (mm)	+/- 20	+/- 4,5	+/- 4.5	+/- 20				
	Deflection ceiling (mm) for double sliding door, RH	+3 / -4.5	+3 / -4.5	+3 / -4.5	+3 / -4.5				
	Hinge door, RH or with fanlight (10 mm TSG)					100	290	211 – 255	EW – 51
	Hinge door, RH or with fanlight (12 mm TSG)					100	330	211 – 280	EW – 51
	Double hinge door, mit Stehflügel (10 mm TSG)					200	290	211	EW – 95
	Double hinge door, mit Stehflügel (12 mm TSG)					200	330	211	EW – 95
	Double swing door RH or with fanlight (10 mm TSG)					200	290	211 – 255	EW – 95
	Double swing door RH or with fanlight (12 mm ESG)					200	330	211 – 280	EW – 95
	Tolerance floor (mm)	+4 / -2	+4 / -2	+4 / -2	+4 / -2				
	Deflection ceiling hinge door RH (mm)	+/- 2	+/- 2	+/- 2	+/- 2				
Deflection ceiling hinge door with fanlight (mm)	+/- 20	+/- 4.5	+/- 4.5	+/- 20					
L, T AND I JUNCTIONS	VHB adhesive strip	●	●	●	●		330		
	Aluminium profile	●	●	●	●		330		
	Silicone	●	●	●	●		330		
	Tolerance floor (mm)	+/- 20	+/- 4	+/- 20	+/- 4				
	Deflection ceiling (mm)	+/- 20	+/- 4.5	+/- 4.5	+/- 20				
	CONNECTIONS	R2 axial junction						330	
Vertical wall connection							330		
Dry-wall connection							330		
Tolerance floor (mm)		+/- 20	+/- 4	+/- 20	+/- 4				
Deflection ceiling (mm)		+/- 20	+/- 4.5	+/- 4.5	+/- 20				

Legend:

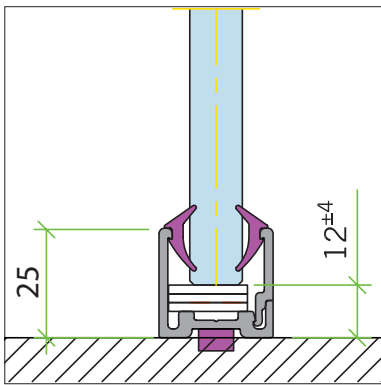
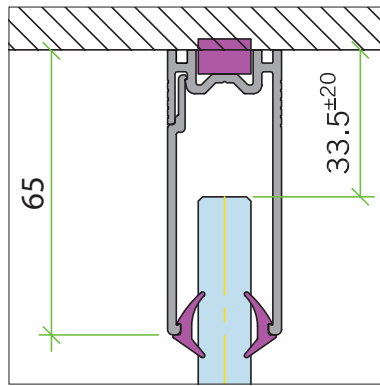


RH room height
EW element width

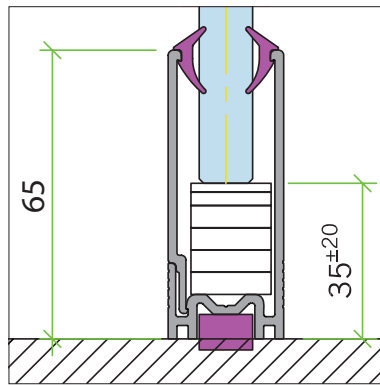
¹⁾ Instead of using the RG all glass door the R2 hinge door incl. an anodised aluminium doorframe can be used



Ceiling connection



Floor connection



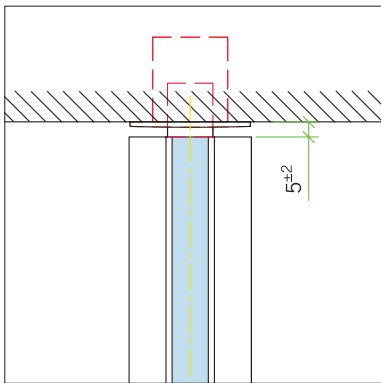
SYSTEM.

The RG single-glazed corridor wall system is available with either hinge or sliding doors, attaining up to 39 dB (Rw).

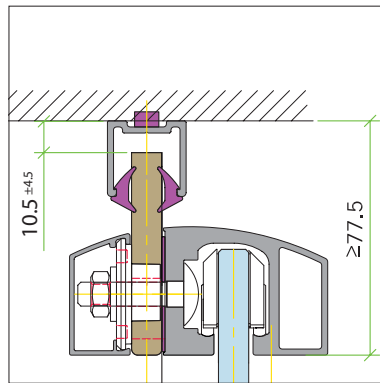
A variety of connecting elements makes it compatible with the R2 working wall and drywalls. The single-glazed RG solid glass is available in 10, 12 or 16 mm TSG, LSG and LSG acoustic glass.

Building tolerances and ceiling deflections are accommodated in the profile in accordance with the absorption potential of the profile height (25/65 mm profile).

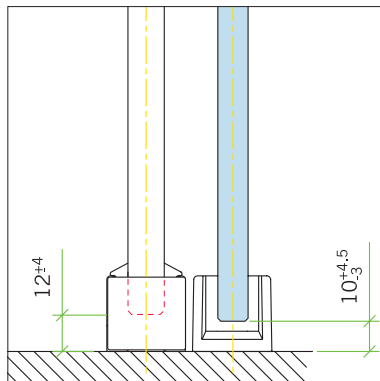
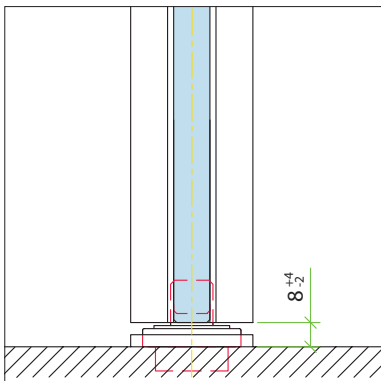
DOORS.



Hinge door



Sliding door



BENE HEADOFFICE A-3340 Waidhofen/YBBS Schwarzwiesenstrasse 3 PHONE +43-7442-500-0 E-MAIL OFFICE@BENE.COM

AUSTRIA: BREGENZ, GRAZ, INNSBRUCK, KLAGENFURT, LINZ, SALZBURG, ST. PÖLTEN, VIENNA. **BELGIUM:** BRUSSELS-ZAVENTEM. **BULGARIA:** SOFIA. **CZECH REPUBLIC:** PRAGUE. **GERMANY:** ASCHAFFENBURG, BERLIN, BONN, DÜSSELDORF, ESSEN, FRANKFURT, HAMBURG, HANNOVER, LEIPZIG, MANNHEIM, MUNICH, SCHWENNINGEN, STUTTART. **HUNGARY:** BUDAPEST. **IRELAND:** DUBLIN. **MIDDLE EAST:** DUBAI. **POLAND:** WARSAW. **ROMANIA:** BUCHAREST. **RUSSIAN FEDERATION:** MOSCOW. **SERBIA:** BELGRAD. **SLOVAKIA:** BRATISLAVA. **SLOVENIA:** LJUBLJANA. **SWITZERLAND:** ZURICH-WALLISELLEN. **UKRAINE:** KIEV. **UNITED KINGDOM:** LONDON.

TRADING PARTNERS: **AUSTRALIA:** SYDNEY. **CHINA:** HONG KONG, SHANGHAI. **DENMARK:** COPENHAGEN. **FRANCE:** ANNECY, AVIGNON, LILLE, LYON, MONTPELLIER, NANTES, NICE, NIMES, PARIS, REIMS, TOULOUSE. **GERMANY:** BAYREUTH, BREMEN, DONAUWÖRTH, ERLANGEN, NÜREMBERG, REGENSBURG, SAARBRÜCKEN, SAARLOUIS, SÜSSEN. **ITALY:** MERAN. **JAPAN:** OSAKA, TOKYO. **KUWAIT:** KUWAIT. **LIECHTENSTEIN:** SCHAAN. **LUXEMBOURG:** LUXEMBOURG. **NETHERLANDS:** HAAKSBERGEN, ROTTERDAM, WILP. **SPAIN:** BARCELONA. **TURKEY:** ISTANBUL.

WWW.BENE.COM