

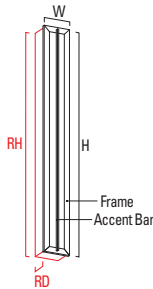
SAMPLE CATALOG NUMBER

CV1666 - 1FS39(MVOLT) - BCA - JB9005 - XPS
 Model Number Lamping Option (Voltage) Frame Finish Accent Bar Finish Option

Model		Lamping Options		Finish			Diffuser Options		Options		
Model Number	Dimensions			Frame	Accent Bar						
CV1664 ZDA	W	5-1/4"	(133 mm)	1FS14	PTD	PTD	BCA	• ABA	• SL	DCC	IEM
	H	24"	(610 mm)	1FS24	BA	BA	BSS	• AR	• SR	• DIM-L	XPS
	D	1"	(25 mm)		BCA	BB	SNA	• PP		FUSE	
	RH	23-5/8"	(600 mm)		SNA						
	RD	3-1/2"	(89 mm)							White acrylic standard	
CV1666 ZDA	W	5-1/4"	(133 mm)	1FS21	PTD	PTD	BCA	• ABA	• SL	DCC	IEM
	H	36"	(914 mm)	1FS39	BA	BA	BSS	• AR	• SR	• DIM-L	XPS
	D	1"	(25 mm)		BCA	BB	SNA	• PP		FUSE	
	RH	35-5/8"	(905 mm)		SNA						
	RD	3-1/2"	(89 mm)							White acrylic standard	
CV1668 ZDA	W	5-1/4"	(133 mm)	1FS28	PTD	PTD	BCA	• ABA	• SL	DCC	FUSE
	H	47-1/2"	(1207 mm)	1FS54	BA	BA	BSS	• AR	• SR	• DIM-A	IEM
	D	1"	(25 mm)		BCA	BB	SNA	• PP		• DIM-L	XPS
	RH	47-1/8"	(1197 mm)		SNA						
	RD	3-1/2"	(89 mm)							White acrylic standard	
CV1670 ZDA	W	5-1/4"	(133 mm)	1FS35	PTD	PTD	BCA	• ABA	• SL	DCC	FUSE
	H	59-1/2"	(1511 mm)	1FS80	BA	BA	BSS	• AR	• SR	• DIM-L	XPS
	D	1"	(25 mm)		BCA	BB	SNA	• PP			
	RH	59-1/8"	(1502 mm)		SNA						
	RD	3-1/2"	(89 mm)							White acrylic standard	

LINE DRAWINGS

CV1664 / CV1666 / CV1668 / CV1670



ABBREVIATION KEY

• Indicated Finish or Option is not available with XPS

Dimensions	
W	Width
H	Height
D	Depth (measured from wall to front of fixture)
RH	Recessed Height
RD	Recessed Depth

Lamping Options (Voltage)	
FS14	14w T-5, mini bi-pin base, FLR (MVOLT)
FS21	21w T-5, mini bi-pin base, FLR (MVOLT)
FS24	24w T-5/HO, mini bi-pin base, FLR (MVOLT)
FS28	28w T-5, mini bi-pin base, FLR (MVOLT)
FS35	35w T-5, mini bi-pin base, FLR (MVOLT)
FS39	39w T-5/HO, mini bi-pin base, FLR (MVOLT)
FS54	54w T-5/HO, mini bi-pin base, FLR (MVOLT; 347V)
FS80	80w T-5/HO, mini bi-pin base, FLR (MVOLT)

Specify Voltage or MVOLT
 MVOLT is a ballast that operates 120V through 277V
 T-5/HO lamp source exceeds VISA standards for brightness

Finishes (see inside back cover)	
PTD	Painted - specify color code (ex. BRNZ for Bronze)
BA	Brushed Aluminum
BB	Brushed Brass
BCA	Brushed Chrome Alternative
BSS	Brushed Stainless Steel
SNA	Satin Nickel Alternative

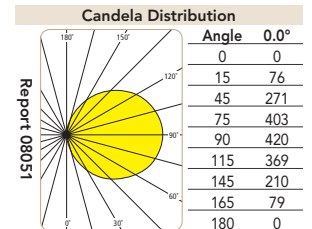
Diffuser Options (see inside back cover)	
• ABA	Hand Painted Alabaster Alternative
• AR	Arctic Crush Lumicor®
• PP	Paper Leaf Lumicor®
• SL	Silver Spun Lumicor®
• SR	Saffron Taipei Lumicor®
Note: White acrylic diffuser is standard unless other diffuser option is specified	

Options	
DCC	Damp clear coat required for all metal finishes in damp locations
• DIM-A	Fluorescent dimming, Advance Mark 10 (FS54 only), specify 120V or 277V
• DIM-L	Fluorescent dimming, Lutron Eco-10, specify 120V or 277V
FUSE	Fusing
IEM	Integral emergency battery pack (dry location), specify voltage)
XPS	Express 10 day shipping

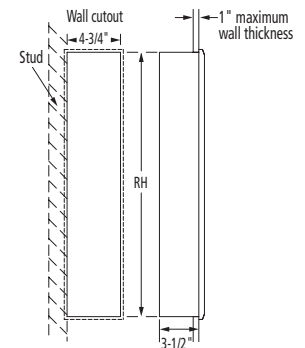
PHOTOMETRICS and BIM

Complete BIM (Building Information Modeling) and photometric files for these models may be downloaded from www.visalighting.com

Reports		
IES File Number	LER	Report page
CV1664-1FS14	28	
CV1666-1FS21	31	
CV1666-1FS39	28	08051 415
CV1668-1FS28	32	
CV1670-1FS35	33	
See report on indicated page for complete detail		



Mounting Detail



Note: One long edge of cutout must be adjacent to the wall stud or other appropriate mounting structure



VISAGE™

INDOOR

DECORATIVE AND PERFORMANCE

WALL / CEILING

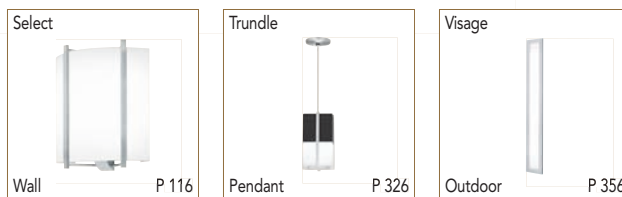


Visage can be mounted vertically or horizontally
(may require modification to existing wall structure)



CV1666-BCA-JB9005

COMPANIONS



FEATURES

- 5 year product warranty
- ADA compliant
- Extruded aluminum frame
- Solid metal accent bars
- 1/8" thick white acrylic diffuser with matte finish, UV stable, UL-94 HB flame class rated (standard)
- Oven cured no VOC acrylic powder coat for painted finishes; oven cured low VOC clear coat on metal finishes
- Fluorescent lamping
- High power factor electronic ballast
- Mounting suitable for drywall applications in wall or ceiling
- Shallow 3-1/2" depth recessed housing rated for through-circuit wiring
- Recessed housing in stock and available for rough-in installation

SUGGESTED VARIATIONS

- Specialty finishes to match architectural detail
- Mix and match accents and trim from other product designs
- Increase or decrease fixture height and/or width
- Can be constructed to meet direct contact with insulation requirements



Approved for indoor damp locations.
Metal finishes require DCC (damp clear coat) for 5 year warranty