

# Kable Lite Metal Woman

700KLMW\_ 1.7

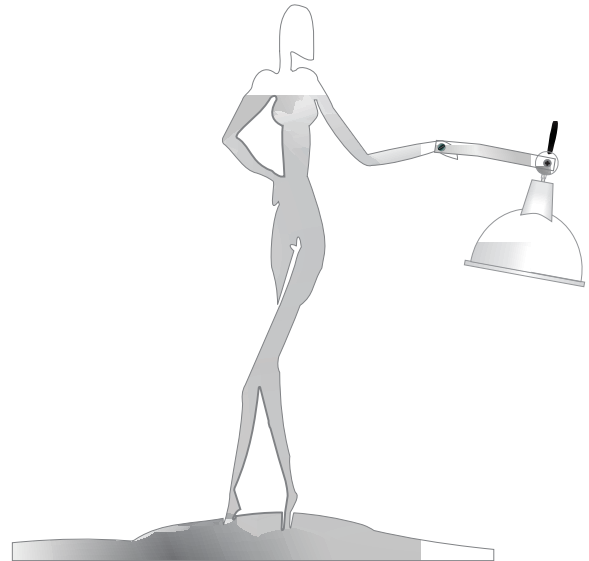


## GENERAL PRODUCT INFORMATION:

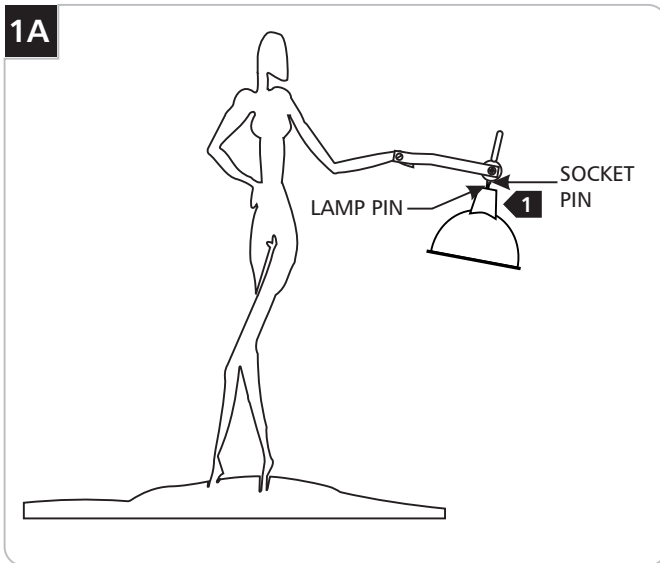



This product is suitable for indoor dry locations only.

Wild Thing, Sun Louver Lens Holder, Flight Paper, MR16 Snout, Lil Egypt, Lil Wok, Barndoors, Snap Barndoors, Backlight Shield, Louver Lens Holder, Snap Louver lens Holder, Eggcrate Louver, and Glass Lens are the compatible accessories.



## Installing the Lamp



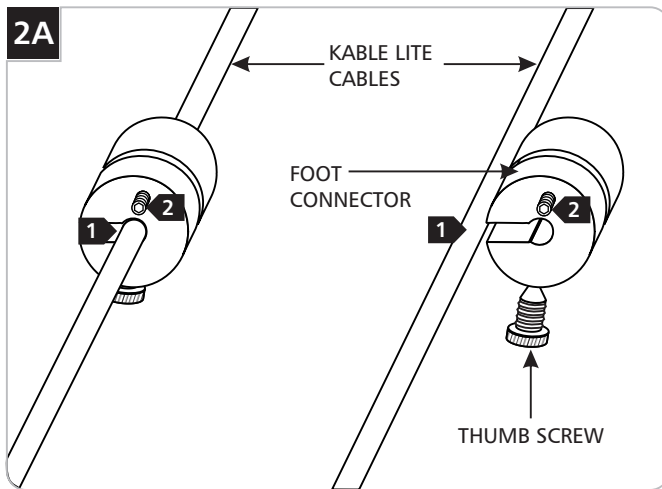
Use **MAX 75 Watt, MR16 Front Cover Halogen** Lamp. 

- Push the lamp pins all the way into the socket pins.

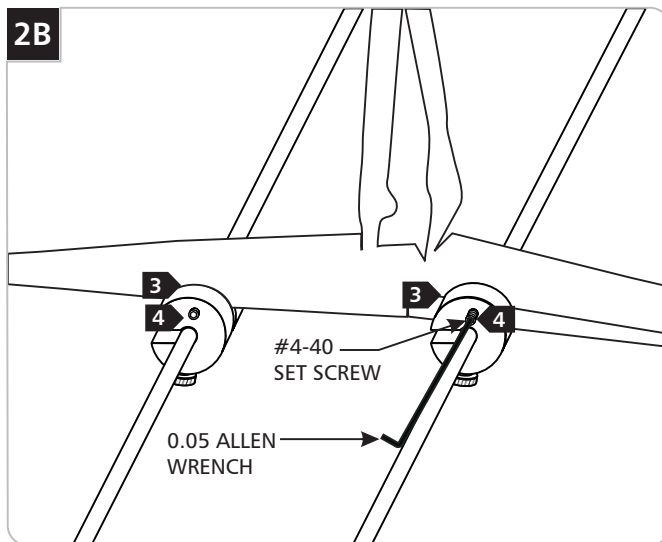
**CAUTION:** To reduce the risk of a burn or electric shock during relamping, disconnect the power to the fixture.

**NOTE:** Use only your fingers and a soft cloth to replace the lamp.

## Installing the Metal Woman to Horizontal Kable Lite Cables

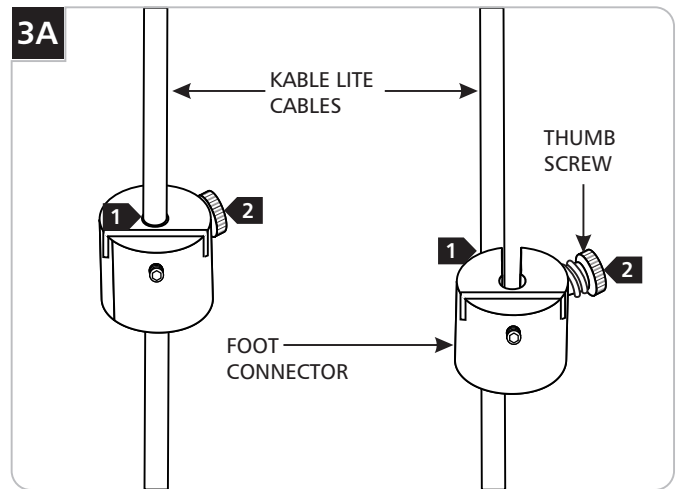


- 1** Place the foot connectors one onto each Kable Lite cable.
- 2** Tighten the thumb screws to secure the connectors on the Kable Lite cables.

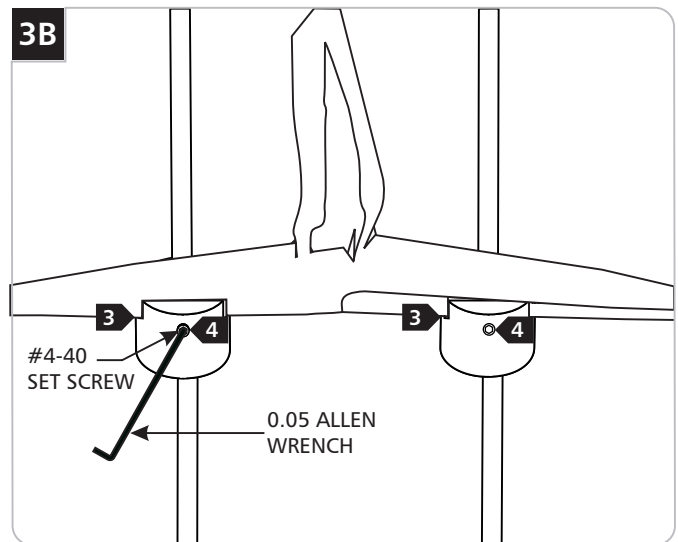


- 3** Push the Metal Woman foot bar into the circular slot on the foot connectors.
- 4** Tighten the #4-40 set screws with the 0.05 Allen wrench to secure the Metal Woman in place.

## Installing the Metal Woman to Vertical Kable Lite Cables



- 1** Place the foot connectors one onto each Kable Lite cable.
- 2** Tighten the thumb screws to secure the connectors on the Kable Lite cables.



- 3** Push the Metal Woman foot bar into the flat slot on the foot connectors.
- 4** Tighten the #4-40 set screws with the 0.05 Allen wrench to secure the Metal Woman in place.

## IMPORTANT SAFETY INSTRUCTIONS

*To reduce the risk of fire, electrical shock, exposure to excessive UV radiation, or injury to person:*

- Use this fixture indoors only.
- Do not look directly at the lighted lamp.
- Do not remain in light if skin feels warm.
- Risk of fire: Use only the type of lamp and maximum wattage indicated in this instruction manual.
- Never cover the halogen lamp with anything other than a Tech Lighting lamp shield and never place flammable material close to your fixture.
- Never turn the fixture on and off by connecting and disconnecting the halogen lamp.
- Do not touch the fixture shades or lamp shield while the fixture is on. These surfaces may be HOT.

## Halogen Lamp General Information

- A new halogen lamp may smoke slightly when it is used for the first time. This is perfectly normal; the protective coating is simply being vaporized.

### Two Tips For Prolonging Halogen Lamp Life

- First avoid touching the lamp with bare hands during installation. Any contaminant, even the oil from your hands can deteriorate the lamp. Rubbing alcohol can be used to remove any contaminant.
- Second, do not run the lamps at full power when you do not need to. However, if dimming the fixture for an extended period of time, occasionally bring the light up to full brightness for a few minutes to complete the halogen cycle.

**SAVE THESE INSTRUCTIONS!**



7400 Linder Ave, Skokie, IL 60077

847.410.4400

[www.techlighting.com](http://www.techlighting.com)

© 2008 Tech Lighting, L.L.C. All rights reserved. The "Tech Lighting" graphic is a registered trademark of Tech Lighting, L.L.C. Tech Lighting reserves the right to change specifications for product improvements without notification.

A Generation Brands Company